

LUNERA SUSAN LAMP

LED Replacement for Metal Halide Lamp

175W / 100W / 70W E26 Medium Base, Vertical Mount



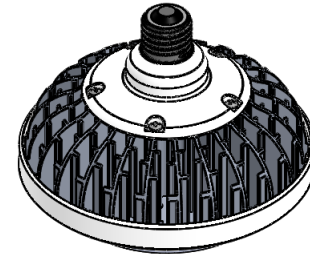
Description

The Susan Lamp is a plug-and-play replacement for a Metal Halide (MH) lamp with an E26 medium base. It is available with an upright option for glass or acrylic fixtures. With a significantly lower energy consumption than conventional MH lamps, this LED lamp replaces 175W, 100W or 70W MH lamps.

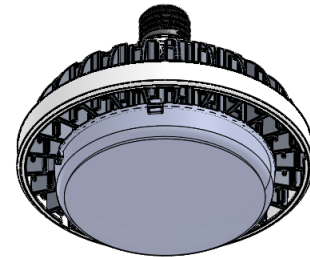
Lunera's BallastLED technology makes the lamp truly plug-and-play by allowing it to operate directly off of existing ballasts. Simply replace the existing MH lamp with the Susan Lamp without making any modifications to the fixture.

The Susan Lamp has a rated life of 50,000 hours – 5 times longer than that of MH lamps. This eliminates replacement cycles and reduces maintenance costs.

The Susan Lamp is available in a range of color temperatures including 3500K, 4000K, and 5000K. It delivers consistent light levels across its long life, which results in a high quality lighting experience.



175W
100W
70W



175W
100W
70W

Features

- Replaces 175W, 100W or 70W Metal Halide (MH) lamps
- Uplight option to support glass & acrylic reflector fixtures
- Plug-and-play installation, operates directly off of existing installed MH ballast
- Ultra-low energy draw, extends existing ballast life
- Up to 5,600 lumens delivered
- > 80 CRI
- 30W to 50W lamp power, yields 50%-80% energy savings
- CCT options: 3500K, 4000K and 5000K
- 50,000 hours to L70 lifespan

Ordering Information

Example: SN-V-E26-MULTIW-3500-G2

Series	Version	Socket Type	Lamp Wattage Replaced	CCT	Generation
SN: Susan Lamp	V: Vertical VU: Vertical with Uplight	E26: Fits in medium (E26) base MH sockets	MULTIW: Supports 175W, 100W or 70W ballasts	3500: 3500K 4000: 4000K 5000: 5000K	G2: 2nd Generation

PROJECT	CONTACT	MODEL NO.
REFERENCE NO.	QUANTITY	DATE

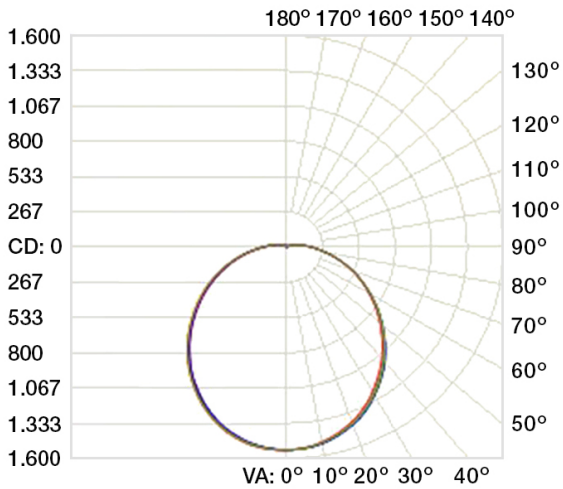
Product Specifications - Vertical Mount Lamp With and Without Uplight

	Driven by 175W (M57) Ballast	Driven by 100W (M90) Ballast	Driven by 70W (M98) Ballast
Illumination			
Color Temperatures	3500K, 4000K, 5000K	3500K, 4000K, 5000K	3500K, 4000K, 5000K
Lumens	3500K: 5,100 lm	3500K: 4,400 lm	3500K: 3,600 lm
	4000K: 5,200 lm	4000K: 4,500 lm	4000K: 3,700 lm
	5000K: 5,600 lm	5000K: 4,800 lm	5000K: 3,900 lm
Color Consistency	Lunera TruColor™ proprietary process	Lunera TruColor™ proprietary process	Lunera TruColor™ proprietary process
Lumen Maintenance (L70)	50,000+ hours life	50,000+ hours life	50,000+ hours life
Electrical System			
Input Voltage	Driven by MH ballast	Driven by MH Ballast	Driven by MH ballast
Power Consumption	50W	40W	30W
Lamp Wattage Replaced	175W (M57)	100W (M90)	70W (M98)
Physical			
Dimensions (H x W)	5.5" x 6"	5.5" x 6"	5.5" x 6"
Weight	1.5 lbs	1.5 lbs	1.5 lbs
Housing and Finish	Painted	Painted	Painted
Heat Sink Size	6"	6"	6"
Environment			
Ambient Temperature	-40°F to 100°F	-40°F to 100°F	-40°F to 100°F
Humidity Rating	Damp OK, no direct water spray	Damp OK, no direct water spray	Damp OK, no direct water spray
Fixture Type	Open or enclosed	Open or enclosed	Open or enclosed
Installation			
Socket Type	Fits vertical mount medium base (E26) MH socket	Fits vertical mount medium base (E26) MH socket	Fits vertical mount medium base (E26) MH socket
Certifications & Qualifications			
UL	Recognized, US & CAN	Recognized, US & CAN	Recognized, US & CAN
RoHS Compliant	Contains no lead or mercury	Contains no lead or mercury	Contains no lead or mercury
LM79, LM80, IES Files	Complete	Complete	Complete
Warranty			
Warranty	5 years	5 years	5 years

Photometry

The Susan Lamp E26 175W vertical lamp photometrics.
LM-79 REPORT NO. 101930332LAX-032

Polar Candela Distribution



The Susan Lamp is available with an optional Uplight feature that directs 15% of the delivered lumens in an upward direction, making it ideal for acrylic or glass domed fixtures.

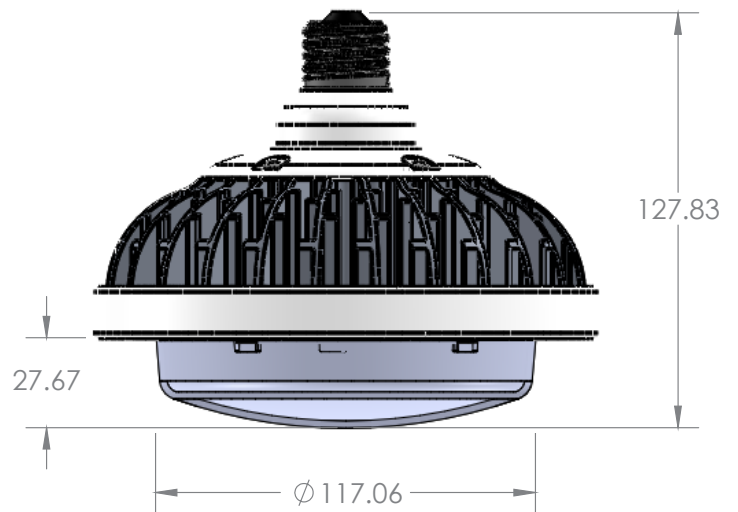
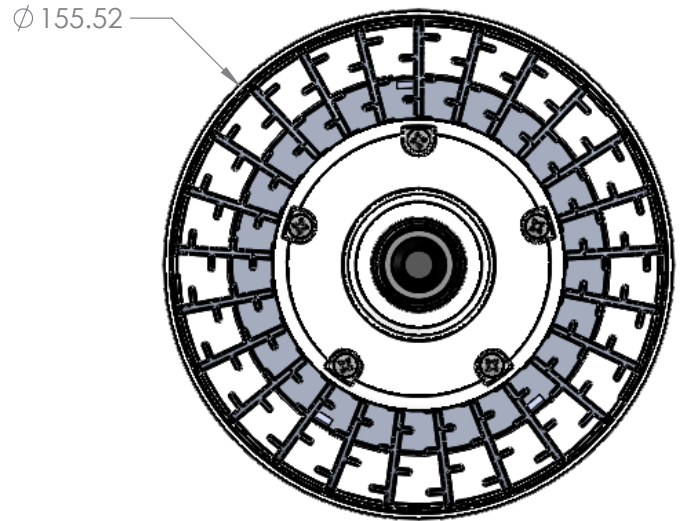


Lamp	Light Direction	
	% Down	% Up
Vertical	100%	0%
Vertical with Uplight	85%	15%

Product Dimensions

Measurements are rounded up. Dimensions are shown in millimeters. Please contact your Lunera representative for exact dimensions.

175W / 100W / 70W



CAUTION

- This lamp is NOT approved for use with line voltage.

© 2015 Lunera Lighting, Inc. All Rights Reserved. Lunera and the Lunera logo are registered trademarks; Lunera TruColor and BallastLED, are trademarks of Lunera Lighting, Inc. All other trademarks are the property of their respective owners.

Specifications are subject to change without notice. This document is for informational purposes only.