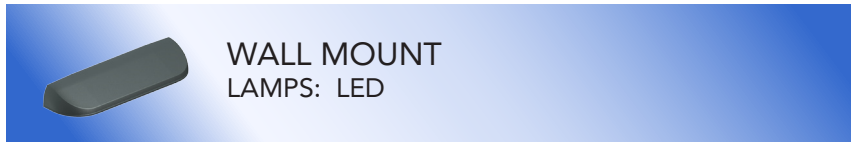


Fixture Type \_\_\_\_\_ Date \_\_\_\_\_

Job Name \_\_\_\_\_

Approved By \_\_\_\_\_

Catalog No. \_\_\_\_\_

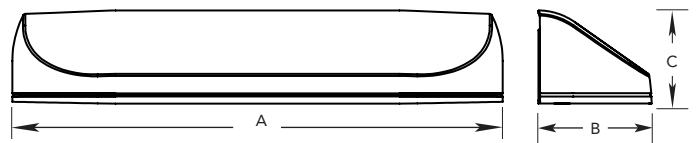


### SPECIFICATIONS

<b>Description</b>	The Architectural Egress Luminaire combines a unique, patented design shaped with high performance, full cut-off optics to achieve completely unobtrusive illumination of a space or path of egress. When mounted over a doorway, the fixture is perceived as an element of the building structure and, additionally, provides water protection in the form of a drip cap over the doorway. Multiple lengths are available to match a given door opening and our unique quick mount system facilitates installation and maintenance.
<b>Housing</b>	Marine grade heat treated extruded aluminum. Chemically primed and finished with robotically applied polyester powder coat.
<b>Wall Mount</b>	Marine grade heat treated extruded aluminum. Chemically primed and finished with robotically applied polyester powder coat. Designed to provide quick mounting to housing and secured with (2) captive stainless steel TORX® head screws.
<b>Lens Frame</b>	Marine grade heat treated extruded aluminum, clear anodized. Secured to fixture via integral concealed hinge and (3) captive stainless steel TORX® head screws.
<b>Lens</b>	UV stabilized diffused extruded polycarbonate.
<b>End Caps</b>	Die-cast marine grade aluminum continuously welded to housing. All welds ground smooth.
<b>Reflector</b>	Electrolytically brightened anodized aluminum PVD coated and absolutely color-free of iridescence. Shaped to provide full cutoff, LED point dispersion and maximum efficiency.
<b>Drivers</b>	Constant current drivers at 350mA. High output version utilizes 700mA.
<b>LED</b>	Samsung LM561B Series @ 3000K, 3500K, 4000K and 82 CRI wired in parallel-series. L <sub>70</sub> projected life of 130,000 hours at 50°C. Tested in accordance with LM-80. Ten year warranty on LED boards against operational defects.
<b>Gaskets</b>	Closed cell self-adhesive neoprene to provide watertight seal between fixture and wall and between fixture and lens frame.
<b>UL Listing</b>	U.L., C.U.L., Wet standard.
<b>Lifetime Warranty</b>	Luminaire LED Incorporated will repair or replace any fixture damaged due to vandalism for the lifetime of the installation

### DIMENSIONAL DATA

	A	B	C
AEL12	20.79	5.40	3.60
AEL24	32.04	5.40	3.60
AEL36	43.29	5.40	3.60
AEL48	54.75	5.40	3.60
AEL72	78.75	5.40	3.60



5 Sutton Place • P.O. Box 2162 • Edison, NJ • 08818  
P. 732.549.0056 F. 732.549.9737



www.luminaireled.net



Luminaire LED Incorporated products are manufactured in the USA with components purchased from USA suppliers, and meet the Buy American requirements under the ARRA.

## ORDERING INFORMATION

SERIES	LENGTH	LED	VOLTS	CCT	LENS	COLORS	OPTIONS	TX/SD (REQUIRED)
AEL								

LENGTH	LED	VOLTS	CCT	LENS	COLORS	OPTIONS
12"	12"	120	3000K	DP	BKH - Black	PC
24"	10W HP	277	3500K	Diffused	Hammertone	2B
36"	24"		4000K	Polycarbonate	BZH - Bronze	SD2
48"	10W LED				Hammertone	SD3
72"	20W LED				SVH - Silver	GLR
	36"				Hammertone	EMB20R
	15W LED				WOP - White Orange	EMB125R
	30W LED				Peel	OCC
	48"				PCP - Prime coat, paintable	ST/SC
	20W LED				CUST - Custom color, Consult factory	
	35W LED					
	72"					
	30W LED					
	55W LED					

## OPTIONS

PC	Photoelectric switch.
2B	(2) LED drivers for independent LED board operation. N/A with AEL12". N/A with the OCC option.
SD2	Tri-level Step-dimming: 25-50-100 light output.
SD3	Tri-level Step-dimming: 33-66-100 light output.
GLR	Fuse and fuse holder.
EMB20R	Remote mounted micro inverter that will operate a 25W maximum load for 90 minutes. 0°C (32°F) to 45°C (113°F).
EMB125R	Stand-alone inverter that will operate a 125W maximum load for 90 minutes. Select ceiling grid, recessed wall or surface mount. 20°C (68°F) to 30°C (86°F).
OCC	Occupancy sensor. Maximum coverage of 10' radius from 8' height.
ST/SC	Slotted screws instead of TORX® head.
TX/SD	TORX® head bit.

## PHOTOMETRIC DATA

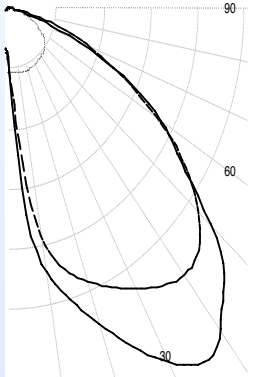
### Lumen Output

Model	Input Watts	Delivered Lumens
AEL12 - 10W	10.8W	726
AEL24 - 10W	9.4W	809
AEL24 - 20W	17.6W	1513
AEL36 - 15W	14.1W	1213
AEL36 - 30W	26.3W	2268
AEL48 - 20W	18.8W	1880
AEL48 - 35W	35.2W	3515
AEL72 - 30W	27.9W	3072
AEL72 - 55W	52.2W	5744

MODEL AEL12-10W HP-4000K IES FILE: AEL12-10W HP-4000K

Delivered Lumens: 726 Lumens Total Power: 10.8W

Testing was performed in accordance with IES LM-79-08

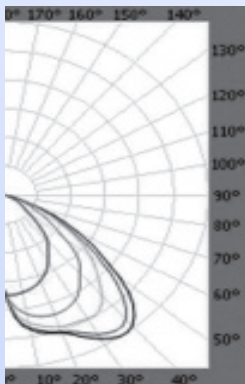


Zone	Lumens	%Lamps
0-30	153	21.1
0-40	287	39.5
0-60	585	80.6
60-90	726	100.0
0-90	439	60.5
90-180	0	0.0
0-180	726	100.0

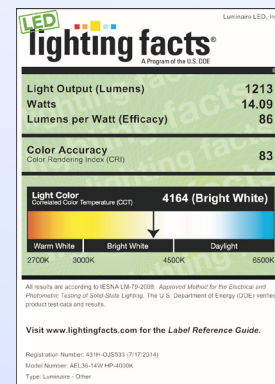
MODEL AEL36-14W HP-4000K IES FILE: AEL36-14W HP-4000K

Light Output: 1213 Lumens Total Power: 14.09W

Testing was performed in accordance with IES LM-79-08



Zone	Lumens	%Lamps
0-30	380.5	31.4
0-40	634.8	52.3
0-60	1063	87.7
60-90	149.6	12.3
0-90	1213	100.0
90-180	0.0	0.0
0-180	1213	100.0

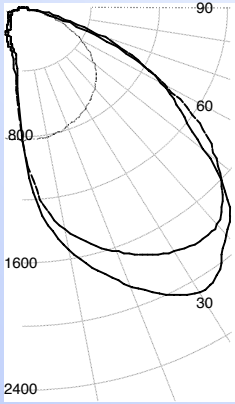


## PHOTOMETRIC DATA CONTINUED...

MODEL AEL72-30W HP-4000K IES FILE: AEL72-30W HP-4000K

Delivered Lumens: 3,072 Lumens Total Power: 27.9W

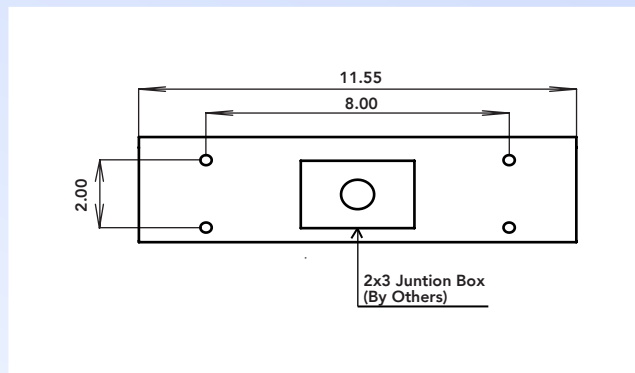
Testing was performed in accordance with IES LM-79-08



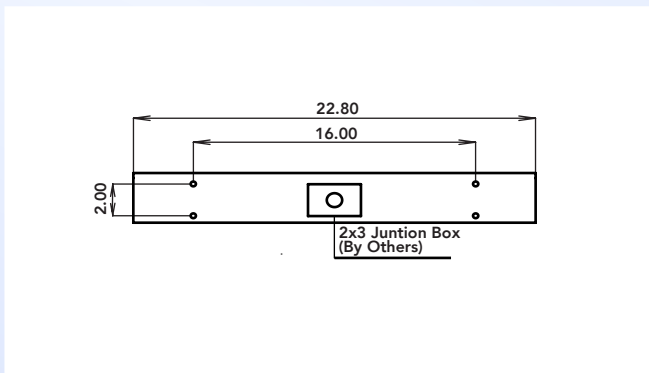
Zone	Lumens	%Lamps
0-30	771	25.1
0-40	1353	44.1
0-60	2529	82.3
60-90	3072	100.0
0-90	1718	17.7
90-180	542	0.0
0-180	3072	100.0

## WALL MOUNTING BRACKET DETAIL

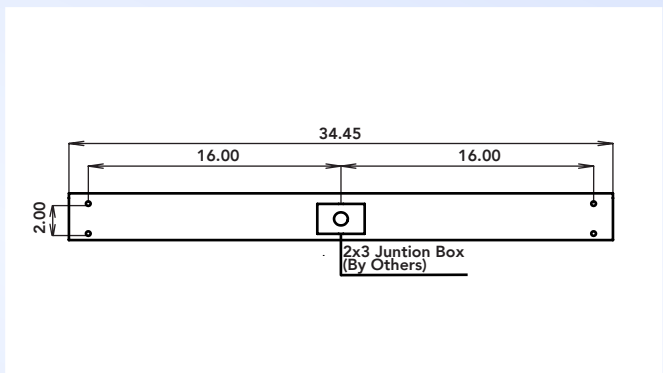
### AEL 12



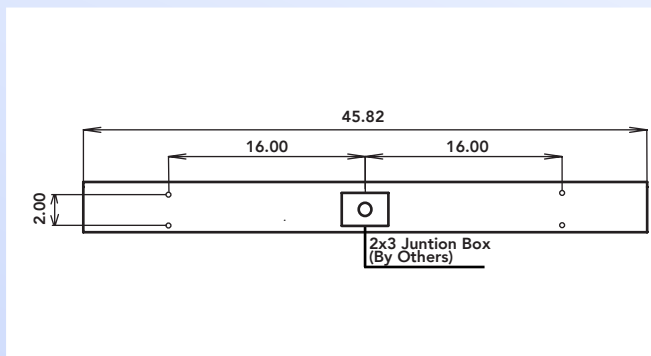
### AEL24



### AEL36



### AEL48



### AEL72

