

DESCRIPTION

651-WP Half Pyramid Wall Sconce features indirect illumination.

Catalog #		Type
Project		
Comments		Date
Prepared by		

SPECIFICATION FEATURES**Material**

Painted solid aluminum or solid bronze. Internal lamp assembly is cast aluminum with clear acrylic lense for CFL and tempered clear lense for incandescent and metal halide.

Finish

Natural bronze or premium TGIC polyester powder coat paint, 2.5 mil nominal thickness for superior protection against fade and wear. Standard: Natural Bronze (NBZ) [Sustainable Design]. Note: Bronze will weather to a dark bronze patina. Premium: Aluminum Paint (ALP), Black Paint (BK), Bronze Metallic Paint (BM), Dark Platinum Paint (DP), Graphite Metallic Paint (GRM), Grey Paint (GY), Verdigris (VG), White Paint (WH) or Custom Color (CC).

Optics

Refer to www.shaperlighting.com for complete photometrics.

Ballast

Integral electronic HPF multi-volt 120/277V (347V Canada), thermally protected with end-of-life circuitry

to accommodate 26W, 32W or 42W lamp. Metal halide ballast is electronic HPF, multi-volt (120/277V) for the specified lamp wattage. 347V ballast for metal halide - Contact factory.

Driver

Standard integral class 2 driver 14W max., 0-10V dimming.

Lamp/Socket

One (1) 26W or 32W (GX24q-3) 4-pin triple tube CFL lamp, one (1) 50W ED-17 metal halide lamp or one (1) 75W A-19 lamp. CFL socket injection molded plastic. MH socket ceramic pulse-rated, 4KV. INC socket fired ceramic rated for 660W/250V. Lamps furnished by others.

LED

L0:1000 nominal lumens at max 15.5W

Long-life LED system coupled with electrical driver to deliver optimal performance. Electronic drivers are available for 120-277 applications. The standard driver is ELV reverse phase dimmable. Type IV-Forward throw optic is standard.

Options

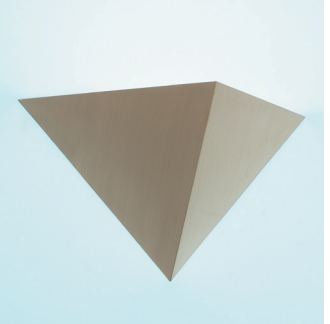
Rear (through wall) Feed Conduit Mounting (C), Frosted White Luminous Slots (LSL), Frosted Blue Luminous Slots (BLSL), Square Perforated Band (SPB).

Labels

U.L. and C.U.L. listed for wet location.


Modifications

Shaper's skilled craftspeople with their depth of experience offer the designer the flexibility to modify standard exterior wall luminaires for project specific solutions. Contact the factory regarding scale options, unique finishes, mounting, additional materials/colors, or decorative detailing.


**651-WP SERIES**

Exterior Wall Luminaire
Half Pyramid



 **ARRA**

Shaper Lighting certifies that its products satisfy the requirements of Section 1605 of the American Recovery and Reinvestment Act (also known as the ARRA Buy American provision).

 **SUSTAINABLE DESIGN**

Shaper has a long-standing history of offering environmentally-friendly fixtures. The copper and bronze alloys used in our exterior luminaires feature up to 98% recycled content, contribute less undesirable air emissions compared to painted aluminum and are easy to recycle.

Refer to the Icon Legend
Link on shaperlighting.com.

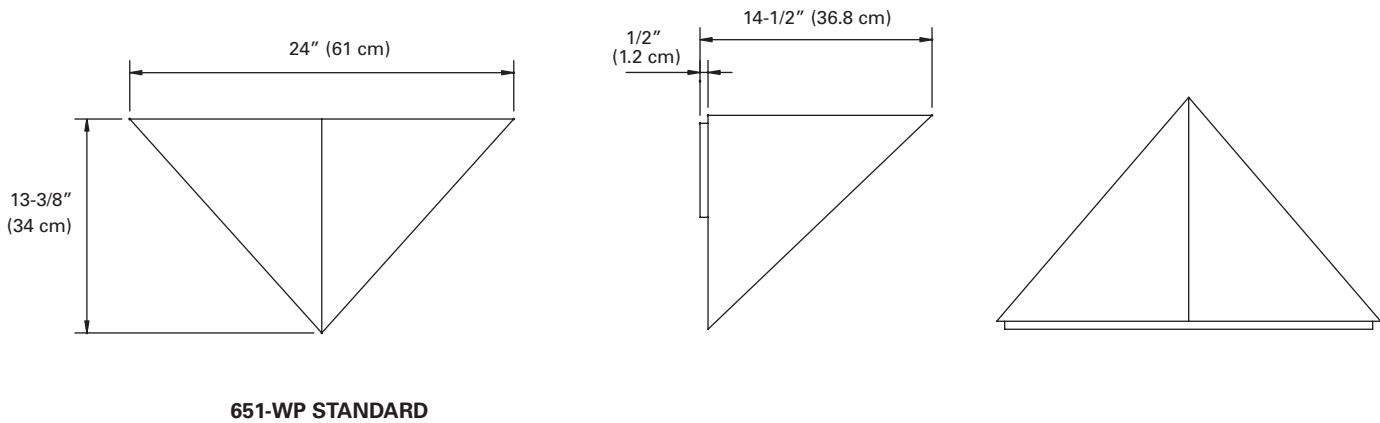
ORDERING INFORMATION

Sample Number: 651-WP-MH/1/50-277V-ALP

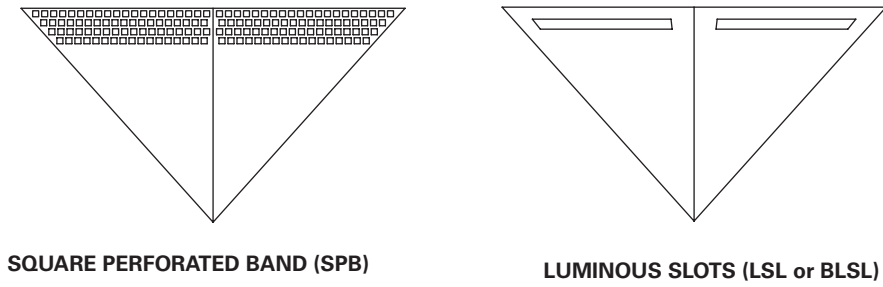
Series	Mounting Type	Lamp	Voltage	Finish ^{3,4}	Options
651 = Half Pyramid	WP = Exterior Wall	CFL/1/(26/32W-Triple) INC/1/75 MH/1/50 LED Lamp L0/827 L0/830 L0/840	120V 277V ¹ 347V ² UNV (120-227V)	<u>Standard</u> NBZ = Natural Bronze <u>Premium</u> ALP = Aluminum Paint BK = Black BM = Bronze Metallic Paint CC = Custom Color DP = Dark Platinum Paint GRM = Graphite Metallic Paint GY = Grey VG = Verdigris WH = White	C = Rear (through wall) Feed Conduit Mounting BLSL = Frosted Blue Luminous Slots LSL = Frosted White Luminous Slots SPB = Square Perforated Band

Notes:
¹ CFL and MH only.
² Available with CFL only.
³ Premium TGIC polyester powder coat paint, 2.5 mil nominal thickness for superior protection against fade and wear.
⁴ Bronze and copper will weather to a dark bronze patina.

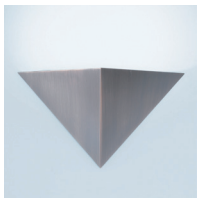
MOUNTING TYPE



OPTIONS



COMPANION PRODUCTS



651



695-WP-DB



695-WP