

Type _____

Project _____

Catalog No. _____

Lamp/Wattage _____

NLEDC-421 & NLEDR-421

Diamond II Series - 4" LED with Reflector Trim

Lamp: LED 12 Watts

PRODUCT DESCRIPTION

Nora Lighting's 4" recessed downlight fixture solution with integrated LED power supply and thermal management system combined in a single compact unit. LED Dedicated Unit (NLEDC) includes Quick Connect for use with Dedicated Remodel and New Construction Nora Housings. LED Retrofit Unit (NLEDR) includes medium base adapter for use in Nora and other housings. Additionally includes extra quick connector for converting housing to dedicated housing.

FEATURES

- 12.55 Watts
- Latest Cree® technology; integrated driver and ceramic LED package
- 97 Lumens per Watt and 65% efficacy
- 620-700 Lumen
- High color rendition - 80+CRI & 90+CRI
- 2700K, 3000K, and 4000K
- Dimmable: 5% with electronic low voltage dimmer or 10% with 2-wire dimmer
- 5-Year limited warranty
- cULus listed for Wet location

SPECIFICATION

TRIM

Aluminum spun reflector with deep set diffused lens for excellent visual comfort while providing high lumen output. Available in three color temperatures, 2700K, 3000K or 4000K, to accommodate different appearances.

CONSTRUCTION

Scientifically and specifiable "Unitized Thermal Management" (UTM) provides exceptional cool operation exceeding all industry standards.

MOUNTING

Trim includes two Friction Blades to mount trim securely to housing.

ELECTRICAL

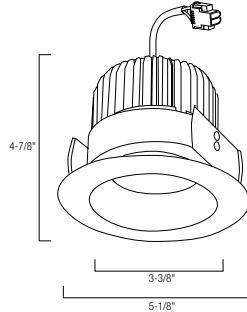
Voltage: 120VAC
 Current: 100mA
 Power Consumption: 12.55 Watts
 Light Source: Cree Integrated Platform
 Lumens: 700 lm
 CRI: 82 CRI
 LED Driver: Built-in driver
 Operating Temperature: 0°C to 75°C ambient temperature
 Life Expectancy: 50,000 hours

SOCKET

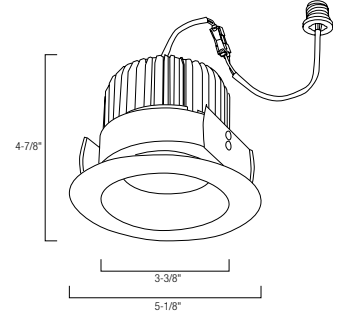
Nora's 4" LED Diamond Series works with standard leading and trailing edge dimming technologies. Dimming with leading-edge dimmers are 5-100% and for trailing-edge dimmers 10-100%. Nora's 4" Diamond Series only requires 11 watts of power, it has much higher efficiency and efficacy than other standard lighting fixtures. There may be some cases that require more than one lighting fixture to be used to achieve the minimum dimmer load This will greatly depend on the particular dimmer used.

DIMENSIONS

NLEDC-421



NLEDR-421



Aperture : 3-3/8"
 Diameter : 5-1/8"
 Height : 4-7/8"

LABELS AND LISTINGS

Title 24 Compliant
 cULus Listed for wet location
 WSEC ASTM E283 for Air-Tight
 Energy Star Rated
 RoHS Compliant
 5 Year Limited Warranty
 Conforms to IESNA LM79 and LM80

Assembled
in
U.S.A



Diamond II Series - 4" LED with Reflector Trim

Catalog No.	CRI	Color Temperature	Finish
NLEDC-421	Blank = 80+CRI	27 = 2700K	BB = Spectacular Black Reflector, Black Flange
NLEDR-421	9 = 90+CRI	30 = 3000K	BW = Spectacular Black Reflector, White Flange
		40 = 4000K	BZ = Bronze Reflector, Bronze Flange
			CO = Copper Reflector, Copper Flange
			CW = Spectacular Clear Reflector, White Flange
			HZW = Haze Reflector, White Flange
			NN = Naturel Metal Reflector and Flange
			WW = White Reflector and Flange

Create a complete item number: Example: NLEDR-42127BW