

INVUE™

EPIC Collection DECORATIVE AREA COLLECTION

EPIC Collection

DECORATIVE AREA COLLECTION

- Pathways
- Pedestrian Areas
- Parking Areas
- Roadways
- Wall Mount

MODULAR FORM

EPIC Collection delivers custom luminaire flexibility with the quality and availability expectations of standard specification grade product. Offered in two housing sizes, and hundreds of unique combinations, the EPIC Collection can be dressed to suit any application.

EXCEPTIONAL CONSTRUCTION

Designed not just to beautify, but to sustain the inherent rigors of an outdoor environment, EPIC Collection luminaires utilize IP66 rated silicone gasketing strategies and a 5 stage premium polyester powder coat paint process to insure protection from performance degrading contaminants.

MODERN PERFORMANCE

Recognizing evolving environmental and legislative trends, EPIC Collection delivers world class optical solutions to the decorative luminaire marketplace. EPIC Collection offers targeted solutions for full cutoff compliance, spill light control, and path of egress illumination while integrating the latest lamp technologies into visually comfortable lighting solutions.





PRODUCT MATRIX

- Tops
- Mid Sections
- Shades
- Optical Systems

Designed as a modular family of luminaire components, all tops, mid sections, shades, and optical systems are fully interchangeable. Simply select a component from each category to assemble a custom built luminaire tailored to design preference and application.

TOPS



MODERN [EMM | EML]
EMM – 9.3”H X 8.8”W
EML – 12.8”H X 12.1”W



CLASSICAL [ECM | ECL]
ECM – 8.6”H X 8.7”W
ECL – 12.2”H X 12”W

MID SECTIONS



SOLID MID [SO]
EMM/ECM – 3.4”H X 9.9”W
EML/ECL – 3.8”H X 13.4”W



WINDOW MID [WN]
EMM/ECM – 3.4”H X 9.9”W
EML/ECL – 3.8”H X 13.4”W



LOUVERED MID [LV]
EMM/ECM – 3.4”H X 9.9”W
EML/ECL – 3.8”H X 13.4”W

SHADES



STRAIGHT NARROW [SN]
EMM/ECM – 6.6”H X 19.1”W



STRAIGHT WIDE [SW]
EMM/ECM – 5.1”H X 23.9”W
EML/ECL – 6.6”H X 30”W

OPTICAL SYSTEMS

Full cutoff segmented reflector (Type II, III, IV, V, SL) with clear or frosted flat lens, cutoff segmented reflector (Type II, III, IV, V, SL) with clear or frosted sag lens, white acrylic jar, glass refractor (Type III, V—EMM/ECM only)



FULL CUTOFF SEGMENTED REFLECTOR



MILKY WHITE ACRYLIC JAR [MA]



GLASS REFRACTOR [3R | 5R]



SLOT MID [ST]
EMM/ECM – 3.4" H X 9.9" W
EML/ECL – 3.8" H X 13.4" W



SOLID RINGS [SR]
EMM/ECM – 3.4" H X 12" W
EML/ECL – 3.8" H X 15.8" W



LUMINOUS RINGS [LR]
EMM/ECM – 3.4" H X 12" W
EML/ECL – 3.8" H X 15.8" W



BELL [BL]
EMM/ECM – 8" H X 24" W
EML/ECL – 9.9" H X 30" W



FLUTE [FL]
EMM/ECM – 6" H X 22.5" W
EML/ECL – 8.4" H X 31.8" W

Emerging trends in light control and environmental preservation require innovative design solutions. EPIC Collection responds.

OPTICAL SYSTEMS

- Full Cutoff Performance
- Horizontal Lamp Position
- Sag Lens
- Rotational Flexibility

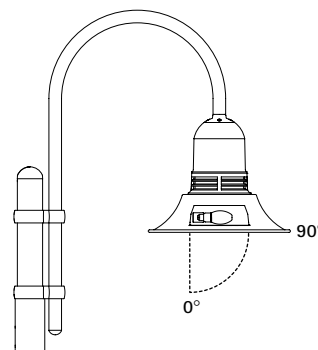


FULL CUTOFF PERFORMANCE

As the nations respected authority on lighting standards and design recommendations, the IESNA, Illuminating Engineering Society of North America defines four (4) unique luminaire cutoff classifications to quantify the amount of light a fixture directs upward toward the sky.

ALLOWABLE CANDELA	@ 90°	@ 80°
Full Cutoff	0	10%
Cutoff	2.5%	10%
Semi-Cutoff	5%	20%
Non-Cutoff	No Limit	No Limit

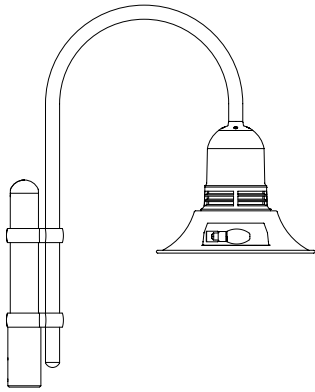
When specified with flat glass and a solid mid section, each of the EPIC Collection's horizontally lamped segmented optical systems meets the strictest "Full Cutoff" classification requirements, ensuring that zero measurable light is directed upward from this luminaire.



FULL CUTOFF

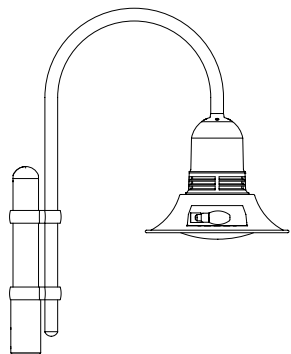
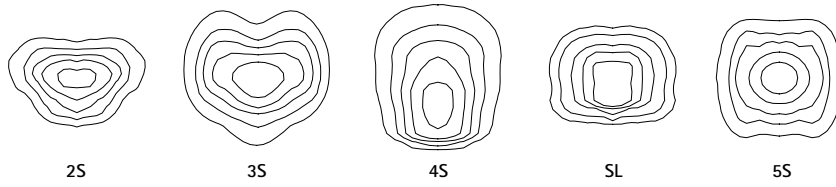
Full cutoff and cutoff classified luminaires carry the endorsement of the International Dark Sky Association (IDA) for their usefulness in limiting the detrimental effects of sky glow, otherwise referred to as light pollution.

When faced with local or state adopted lighting ordinances, full cutoff luminaires offer direct compliance in most all circumstances.



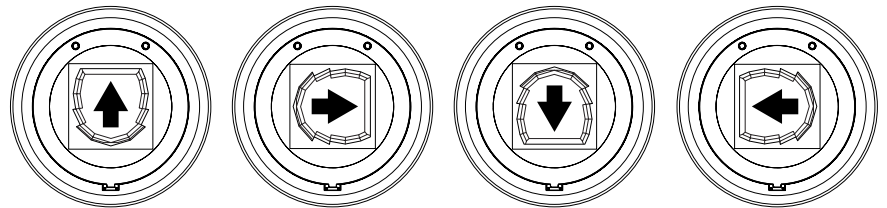
HORIZONTAL LAMP POSITION

A horizontal lamp orientation allows for a broad selection of luminaire distribution shapes. Optical systems are available in Type II, III, IV, SL Forward Throw, and Square Type V distributions.



SAG LENS

Available sag glass lens for applications where full cutoff classification is not required. Improves fixture visibility while providing a subtle performance gain.



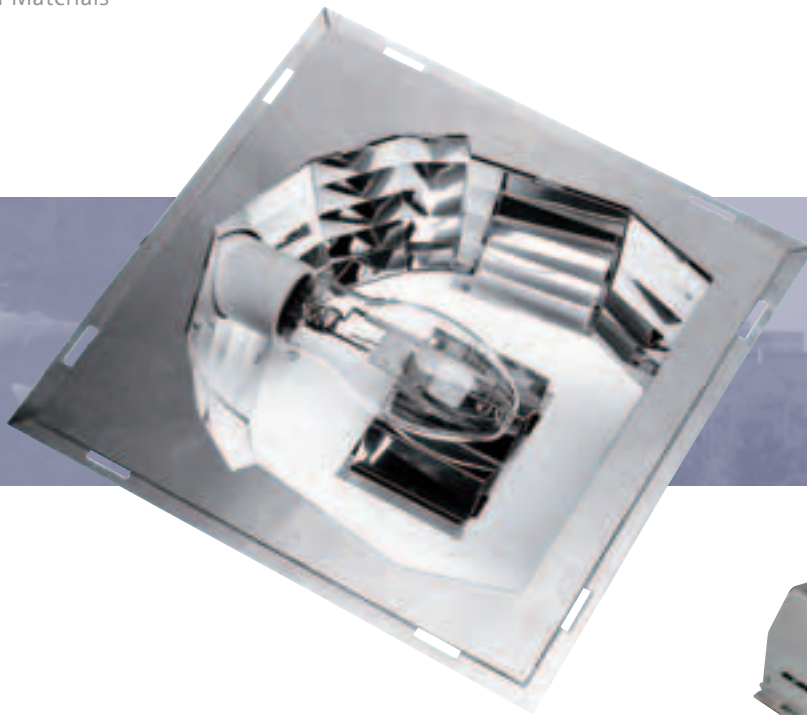
ROTATIONAL FLEXIBILITY

Optical assemblies offer full 360° rotational capability, allowing precision adjustment of the optical distribution.

INVUE segmented optical systems establish themselves as an industry benchmark for excellence in performance. Our commitment to optical research and precision build quality result in unequalled levels of performance and repeatability.

OPTICAL EXCELLENCE

- Flawless Facets
- Rigid Construction
- Lamp Options
- Premium Materials



FLAWLESS FACETS

Reflector facets are flat and unobstructed, allowing for a perfect reflection of the lamp's arc tube. All segment faces are clean of rivet heads, tabs, or other means of attachment which may cause streaking in the light distribution.



RIGID CONSTRUCTION

A rigid box enclosure shields optical facets on all sides from performance degrading damage. Each facet bank is secured to both top and bottom of the enclosure for repeatable facet orientation relative to light center.

LAMP OPTIONS

EPIC Collection optical systems are offered with a variety of high efficiency lamp sources.



METAL HALIDE/ PULSE START METAL HALIDE

Excellent color rendition up to 92 CRI, high efficacy (lumens per watt).



HIGH PRESSURE SODIUM

High efficacy (lumens per watt), long life.



COMPACT FLUORESCENT

Energy conscious, good color rendition, excellent lumen maintenance.



ELECTRODELESS FLUORESCENT

100,000 hour life, zero maintenance, good color rendition.

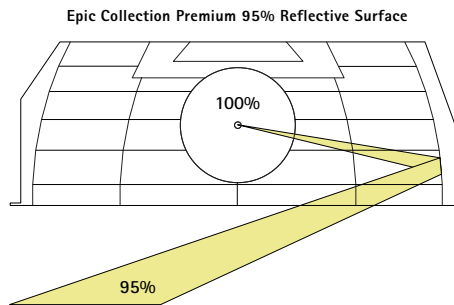
AVAILABLE LAMP OPTIONS PER HOUSING SIZE

	EMM ECM	EML ECL
Metal Halide	50, 70, 100W, 175W	175, 250, 400W
Pulse Start Metal Halide		250, 320, 350, 400W
High Pressure Sodium	50, 70, 100, 150W	150, 250, 400W
Compact Fluorescent	42, 57W	(2) 57W, (2) 70W
Electrodeless Fluorescent	85W	85W



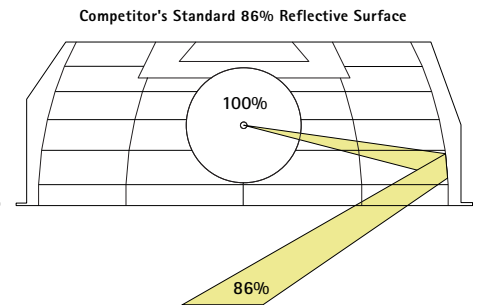
PREMIUM MATERIALS

A commitment to using premium 95% reflective aluminum sheet for all reflective faces allows for efficiency gains of up to 10%.



PREMIUM MATERIAL

Premium material reflects a higher intensity of light in a more controllable fashion.



STANDARD MATERIAL

Standard material reflects a lower intensity of light.

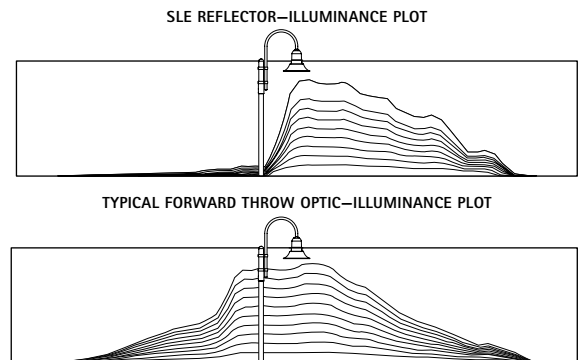




The solution for spill light concerns and perimeter lighting applications is the SLE—Spill Light Eliminator optic.

SPILL LIGHT CONTROL

- Spill Light Eliminator (SLE)



SPILL LIGHT ELIMINATOR (SLE)

Allowing less than 2% of the total lamp output to fall behind the pole with no sacrifice in forward reaching performance, the SLE is the benchmark for effective spill control. Used along site perimeters and property lines, the SLE keeps the light inside and the darkness out.



EGRESS + APPLICATIONS

- Egress Emergency Lighting
- Site Lighting Applications

EGRESS

EMERGENCY LIGHTING

EPIC Collection offers numerous options for providing illumination to the Path of Egress under emergency conditions.

EM/SC [Emergency | Separate Circuit]

Auxiliary quartz socket mounted to optical assembly. Socket is wired to separate relay controlled emergency power source.

42/57/70/114/140 CF

Fluorescent lamp source combined with electronic ballast achieves full brightness within seconds of reactivation.

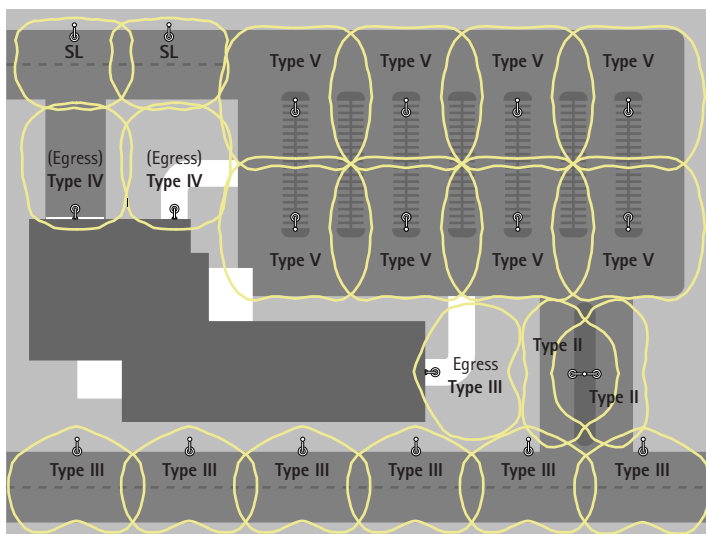


Q [Quartz Restrike]

Auxiliary quartz socket mounted to optical assembly. Quartz lamp energizes upon power reactivation and extinguishes once HID lamp re-ignites.

EM [Quartz Restrike with Time Delay]

Auxiliary quartz socket mounted to optical assembly. Quartz lamp energizes upon cold start and power reactivation, extinguishing once HID lamp has achieved partial brightness.



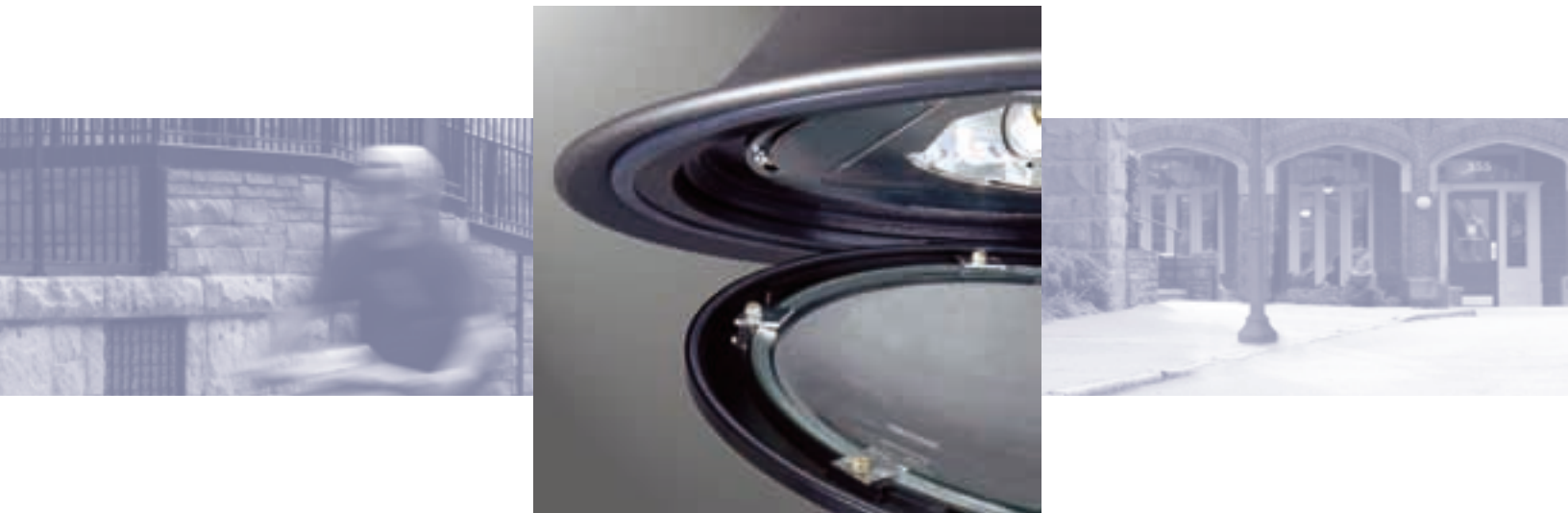
SITE LIGHTING APPLICATIONS

Each site presents unique challenges of shape, design criteria, and environmental concerns. Whether designing for Illuminance, Luminance or Small Target Visibility (STV), the available selection of distribution shapes, lamp options, and housing sizes provide a myriad of tools to custom tailor your lighting solution.

EPIC Collection luminaires provide unsurpassed levels of protection against entry of airborne contaminants. With a certified IP66 fixture rating, dust, insects, and moisture simply have no chance of penetrating the fixture's outer enclosure.

FIXTURE SEALING

- IP Rating



IP RATING

"IP" stands for Ingress Protection and is a rating system established by the European organization IEC, International Electrotechnical Commission. Over 50 countries strong, this organization publishes international standards for electrical products and other related technologies. The two numbers proceeding the "IP" individually callout the fixture's protection ratings against airborne particulates and moisture.

I	P	6	6
Ingress	Protection	Complete protection against dust entry	No moisture within fixture after a constant 100L/min. high pressure jet spray from all practical directions

OPTICAL SYSTEMS

- Frosted Lens
- Milky White Acrylic Jar
- Glass Refractor
- Color Capabilities

FROSTED LENS [FR | FRS]

Available frosted flat or sag glass lens reduces fixture brightness while visually softening the light distribution. Particularly useful in low mounting height applications, and in public environments where pedestrians may have direct line-of-sight exposure to lamp brightness.



MILKY WHITE ACRYLIC JAR [MA]

Available translucent white acrylic jar utilizes a vertical lamp orientation to achieve a round Type V distribution with minimal fixture brightness. Underside of shade is finished in a high reflectance white powder coat paint to maximize efficiency. Particularly useful in low mounting height applications, and in areas with heavy pedestrian activity. Maximum 100W HID on EMM/ECM, 250W HID EML/ECL.



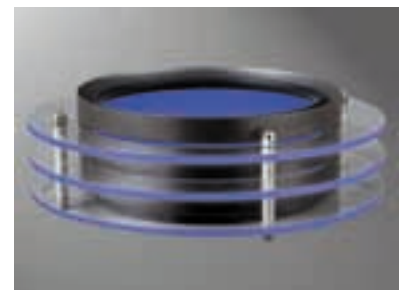
GLASS REFRACTOR [3R | 5R]

Available tempered clear prismatic glass refractor utilizes a vertical lamp orientation to achieve either a Type III or V distribution. Available on EMM/ECM fixtures only.



COLOR CAPABILITIES [LR | LRR | LRB | LRG | LRO]

Infuse a splash of color to any Epic Collection fixture by specifying the colored luminous rings option. A colored gel film attached to the inside of the white acrylic mid section lens sends vibrant hues of color to the edges of each clear acrylic ring. Standard colors include Deep Green, Bright Blue, Red, and Warm Orange. Other colors available, consult your INVUE Lighting Systems Representative for more information.



TOP

Cast aluminum modern or classical top housing maintains a minimum 1/8" sidewall thickness.

Top attaches to cast aluminum mounting arm hub with four (4) stainless steel fasteners. One (1) piece silicone gasket between mounting hub and top casting seals out moisture and contaminants.

MID SECTION

Milky white acrylic lens utilizes continuous silicone gaskets to seal lens to top casting and shade.

The following mid section options feature cast aluminum construction and stainless steel assembly hardware:

SO Solid, WN Window, LV Louvered, ST Slot, SR Solid Rings. LR Luminous Rings feature clear acrylic rings suspended by stainless steel spacers and hardware. Optional colored luminous rings utilize a colored gel film attached behind luminous mid lens to project color along edges of rings.

PRODUCT SPECIFICATIONS

- Features + Benefits

SHADES

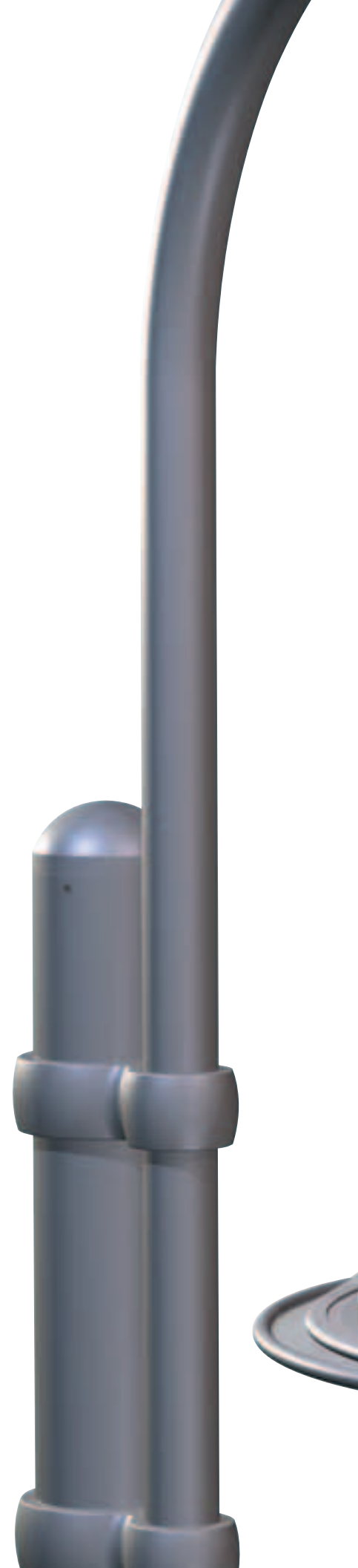
Heavy gauge precision spun aluminum shades offer superior surface finish and consistency in form.

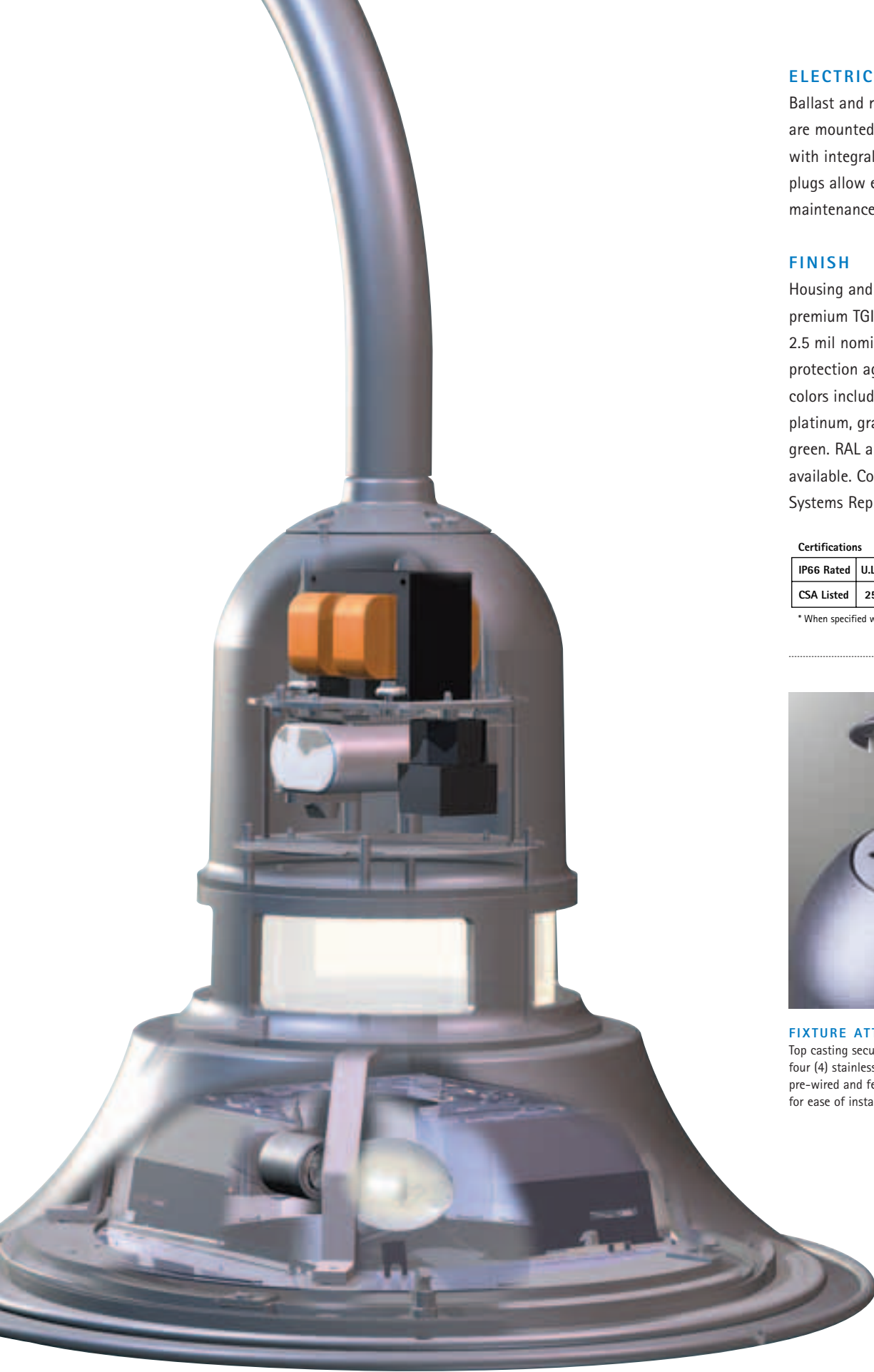
DOORFRAME ASSEMBLY

Used with horizontally lamped segmented optical systems. Die-cast aluminum 1/8" thick door and doorframe seal to underside of shade with a thick wall continuous silicone gasket. Door hinges opens via release of two (2) concealed quick release fasteners. Impact resistant 1/8" thick tempered flat or sag glass lens (clear or frosted finish) seals to door with a one-piece silicone gasket.

OPTICAL SYSTEMS

Choice of five (5) high efficiency segmented optical systems constructed of premium 95% reflective anodized aluminum sheet. Optical segments are rigidly mounted inside a thick gauge aluminum housing for superior protection. All segment faces are clean of rivet heads, tabs, or other means of attachment which may cause streaking in the light distribution. All reflector modules feature toolless removal, quick disconnect wiring plugs, and are 360° field rotatable. Optional MA milky white acrylic jar utilizes a vertical lamp orientation (maximum 100W HID on EMM/EMC, and 250W HID on EML/ECL). 3R and 5R options utilize a prismatic clear tempered glass refractor along with a vertical lamp orientation. Offered on EMM/ECM only. Vertically lamped optical systems are secured with a die cast retaining collar, stainless steel hardware, and a one-piece silicone gasket, and feature standard high reflectance white powder paint finish on underside of shade for optimal fixture efficiency.





ELECTRICAL TRAY

Ballast and related electrical componentry are mounted to a reinforced one piece tray with integral handle. Quick disconnect wiring plugs allow easy tray removal during routine maintenance.

FINISH

Housing and arm finished in a 5 stage premium TGIC polyester powder coat paint, 2.5 mil nominal thickness for superior protection against fade and wear. Standard colors include black, bronze, grey, white, dark platinum, graphite metallic, and hartford green. RAL and custom color matches available. Consult your INVUE Lighting Systems Representative for more information.

Certifications

IP66 Rated	U.L. 1598 Listed	2G Vibration Tested	FCO ⁺ Full Cutoff
CSA Listed	25°C Ambient	ISO 9001	

* When specified with a flat lens and solid mid section.



FIXTURE ATTACHMENT

Top casting secures to cast mounting arm hub with four (4) stainless steel fasteners. Arms are supplied pre-wired and feature quick disconnect wire terminals for ease of installation.

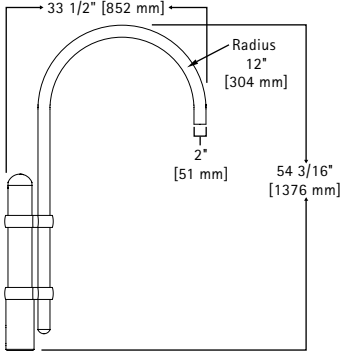




POLE MOUNT SPECIFICATIONS

- Specifications + Dimensions

Pole mount arms are designed to fit both medium EMM/ECM and large EML/ECL series housings. Arms feature a precision welded cast aluminum mounting hub for attachment of fixture head to arm with four (4) stainless steel fasteners.

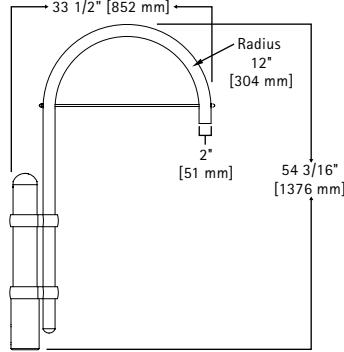


BISHOP SINGLE POLE MOUNT ARM

[VA6105, VA6154, VA6005, VA6054]

Slipfits over 4" round straight pole, or 4" O.D. by 6" tall tenon.

Weight: 24 lbs. E.P.A.: .92

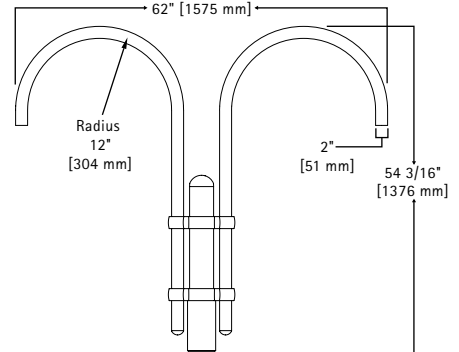


BISHOP SINGLE POLE MOUNT ARM WITH CROSS ROD

[VA6106, VA6155, VA6006, VA6055]

Slipfits over 4" round straight pole, or 4" O.D. by 6" tall tenon.

Weight: 25 lbs. E.P.A.: .98

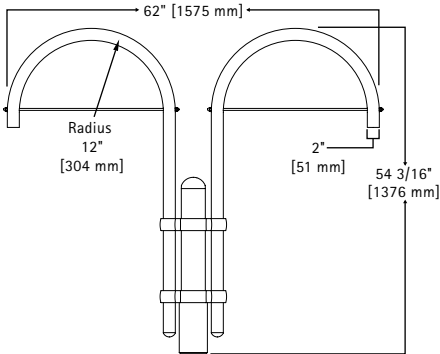


BISHOP TWIN POLE MOUNT ARM

[VA6107, VA6156, VA6007, VA6056]

Slipfits over 4" round straight pole, or 4" O.D. by 6" tall tenon.

Weight: 37 lbs. E.P.A.: 1.43

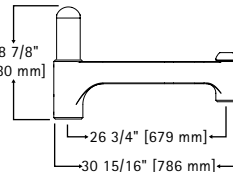


BISHOP TWIN POLE MOUNT ARM WITH CROSS RODS

[VA6108, VA6157, VA6008, VA6057]

Slipfits over 4" round straight pole, or 4" O.D. by 6" tall tenon.

Weight: 39 lbs. E.P.A.: 1.55

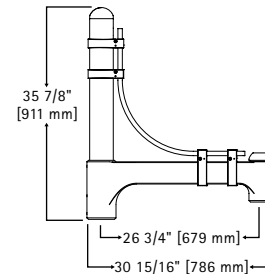


TRADITIONAL SINGLE POLE MOUNT ARM

[VA6109, VA6158, VA6009, VA6058]

Slipfits over 4" round straight pole, or 4" O.D. by 6" tall tenon.

Weight: 20 lbs. E.P.A.: .86

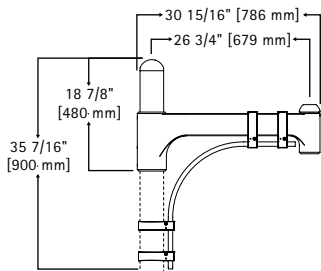


TRADITIONAL SINGLE POLE MOUNT ARM WITH ROUNDED UPPER BAR

[VA6110, VA6159, VA6010, VA6059]

Slipfits over 4" round straight pole, or 4" O.D. by 6" tall tenon.

Weight: 28 lbs. E.P.A.: 1.4

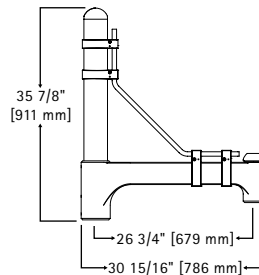


TRADITIONAL SINGLE POLE MOUNT ARM WITH ROUNDED LOWER BAR

[VA6111, VA6160, VA6011, VA6060]

Slipfits over 4" round straight pole, or 4" O.D. by 6" tall tenon.

Weight: 25 lbs. E.P.A.: 1.16

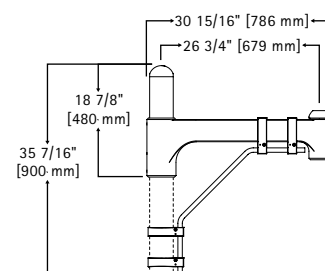


TRADITIONAL SINGLE POLE MOUNT ARM WITH 45° UPPER BAR

[VA6112, VA6161, VA6012, VA6061]

Slipfits over 4" round straight pole, or 4" O.D. by 6" tall tenon.

Weight: 28 lbs. E.P.A.: 1.38



TRADITIONAL SINGLE POLE MOUNT ARM WITH 45° LOWER BAR

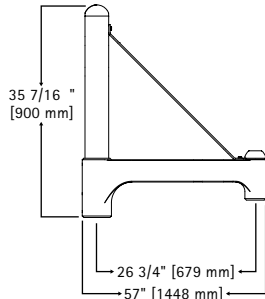
[VA6113, VA6162, VA6013, VA6062]

Slipfits over 4" round straight pole, or 4" O.D. by 6" tall tenon.

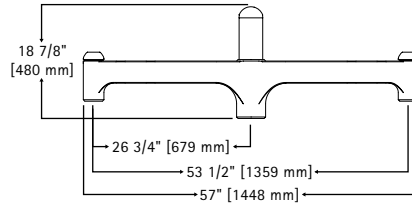
Weight: 25 lbs. E.P.A.: 1.14

POLE MOUNT SPECIFICATIONS

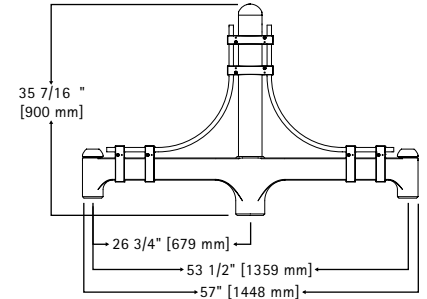
- Specifications + Dimensions



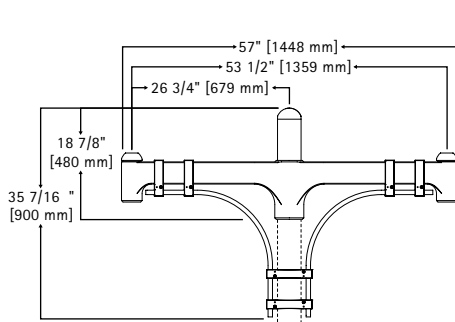
TRADITIONAL SINGLE POLE MOUNT ARM WITH 45° UPPER STRAP
[VA6114, VA6163, VA6014, VA6063]
 Slipfits over 4" round straight pole, or 4" O.D. by 6" tall tenon.
Weight: 24 lbs. E.P.A.: 1.17



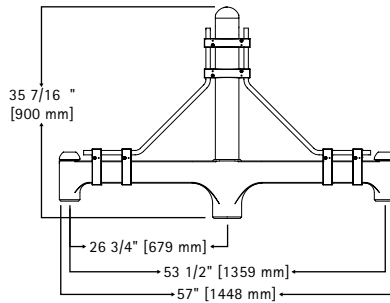
TRADITIONAL TWIN POLE MOUNT ARM [VA6116, VA6165, VA6016, VA6065]
 Slipfits over 4" round straight pole, or 4" O.D. by 6" tall tenon.
Weight: 30 lbs. E.P.A.: 1.44



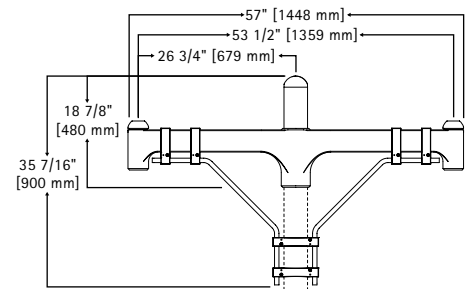
TRADITIONAL TWIN POLE MOUNT ARM WITH ROUNDED UPPER BARS
[VA6117, VA6166, VA6017, VA6066]
 Slipfits over 4" round straight pole, or 4" O.D. by 6" tall tenon.
Weight: 43 lbs. E.P.A.: 2.28



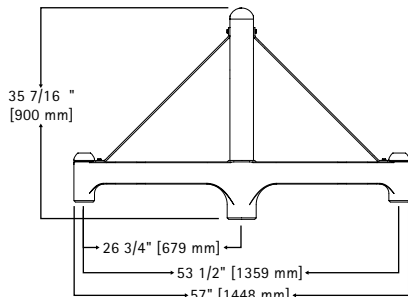
TRADITIONAL TWIN POLE MOUNT ARM WITH ROUNDED LOWER BARS
[VA6118, VA6167, VA6018, VA6067]
 Slipfits over 4" round straight pole, or 4" O.D. by 6" tall tenon.
Weight: 40 lbs. E.P.A.: 2.04



TRADITIONAL TWIN POLE MOUNT ARM WITH 45° UPPER BARS
[VA6119, VA6168, VA6019, VA6068]
 Slipfits over 4" round straight pole, or 4" O.D. by 6" tall tenon.
Weight: 43 lbs. E.P.A.: 2.24



TRADITIONAL TWIN POLE MOUNT ARM WITH 45° LOWER BARS
[VA6120, VA6169, VA6020, VA6069]
 Slipfits over 4" round straight pole, or 4" O.D. by 6" tall tenon.
Weight: 40 lbs. E.P.A.: 2.0

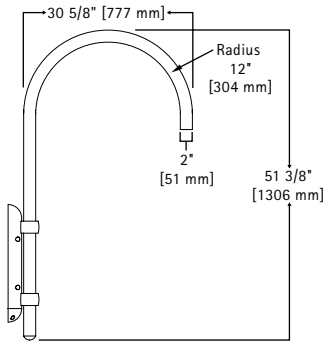


TRADITIONAL TWIN POLE MOUNT ARM WITH 45° UPPER STRAPS
[VA6121, VA6170, VA6021, VA6070]
 Slipfits over 4" round straight pole, or 4" O.D. by 6" tall tenon.
Weight: 37 lbs. E.P.A.: 1.81

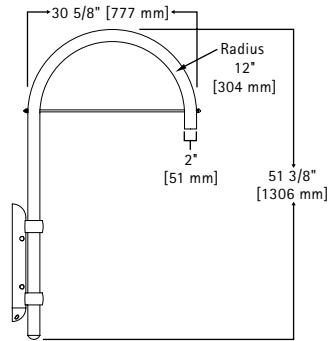
WALL MOUNT SPECIFICATIONS

- Specifications + Dimensions

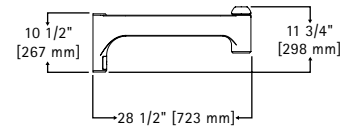
Wall mount arms compliment pole mount luminaires and attractively transition fixture scale in lower mounting height pedestrian environments. Wall mount arms are designed to fit both medium EMM/ECM and large EML/ECL series housings. Arms feature a precision welded cast aluminum mounting hub for attachment of fixture head to arm with four (4) stainless steel fasteners.



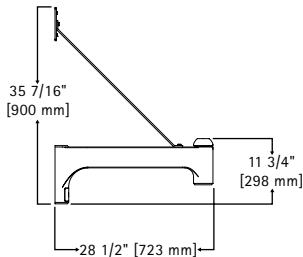
BISHOP WALL MOUNT ARM
[VA6101, VA6150, VA6001, VA6050]
 Mounts to wall with four (4) stainless steel lag bolts (provided by other).
Weight: 16 lbs.



BISHOP WALL MOUNT ARM WITH CROSS ROD
[VA6102, VA6151, VA6002, VA6051]
 Mounts to wall with four (4) stainless steel lag bolts (provided by other).
Weight: 17 lbs.

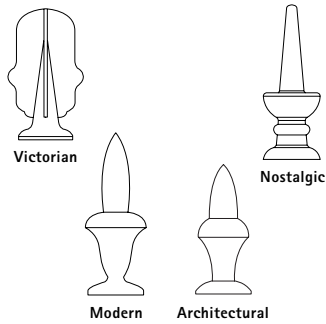


TRADITIONAL WALL MOUNT ARM
[VA6103, VA6152, VA6003, VA6052]
 Mounts to wall with four (4) stainless steel lag bolts (provided by other).
Weight: 17 lbs.



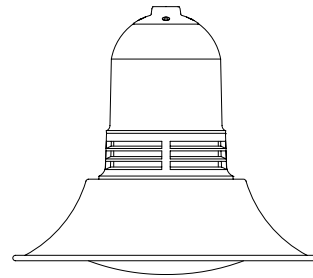
TRADITIONAL WALL MOUNT ARM WITH 45° STRAP
[VA6104, VA6153, VA6004, VA6053]
 Mounts to wall with four (4) stainless steel lag bolts (provided by other).
Weight: 18 lbs.

OPTIONS + ACCESSORIES



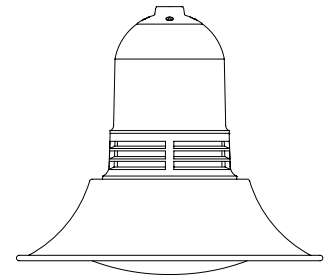
FINIALS

Choice of four (4) cast aluminum decorative finials. Offered as an accessory option on traditional wall and pole mount arms only.



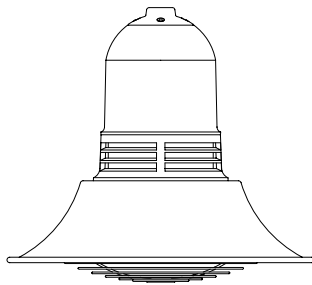
SAG GLASS

3/16" thick convex tempered clear or frosted glass lens. Useful in applications where full cutoff classification is not required. Improves fixture visibility while providing a subtle performance gain.



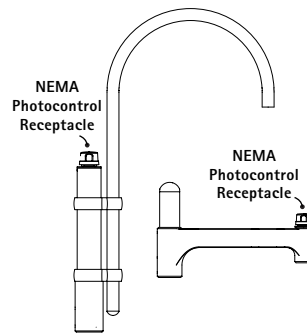
VANDAL SHIELD

3/16" thick molded polycarbonate convex lens. Treated with UV inhibitor to discourage the gradual discoloration that results from exposure to sunlight and Metal Halide lamps. Available on EMM/ECM fixtures only.



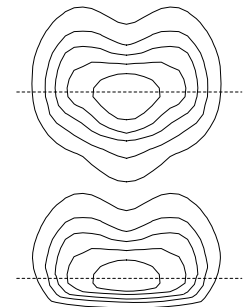
WIRE GUARD

Steel wire guard assembly provides added protection against glass breakage. Available on EMM/ECM fixtures only. Compatible with both flat and sag lens. Finished in black powder coat paint.



PHOTOCONTROL

Offered as an accessory option for Traditional wall and pole mount arms, and bishop pole mount arms. Gasketed photocell receptacle accepts a standard NEMA base photocontrol (ordered separately). Located immediately above fixture head on Traditional arms, and integral to the pole cap on Bishop style arms.



HOUSE SIDE SHIELD

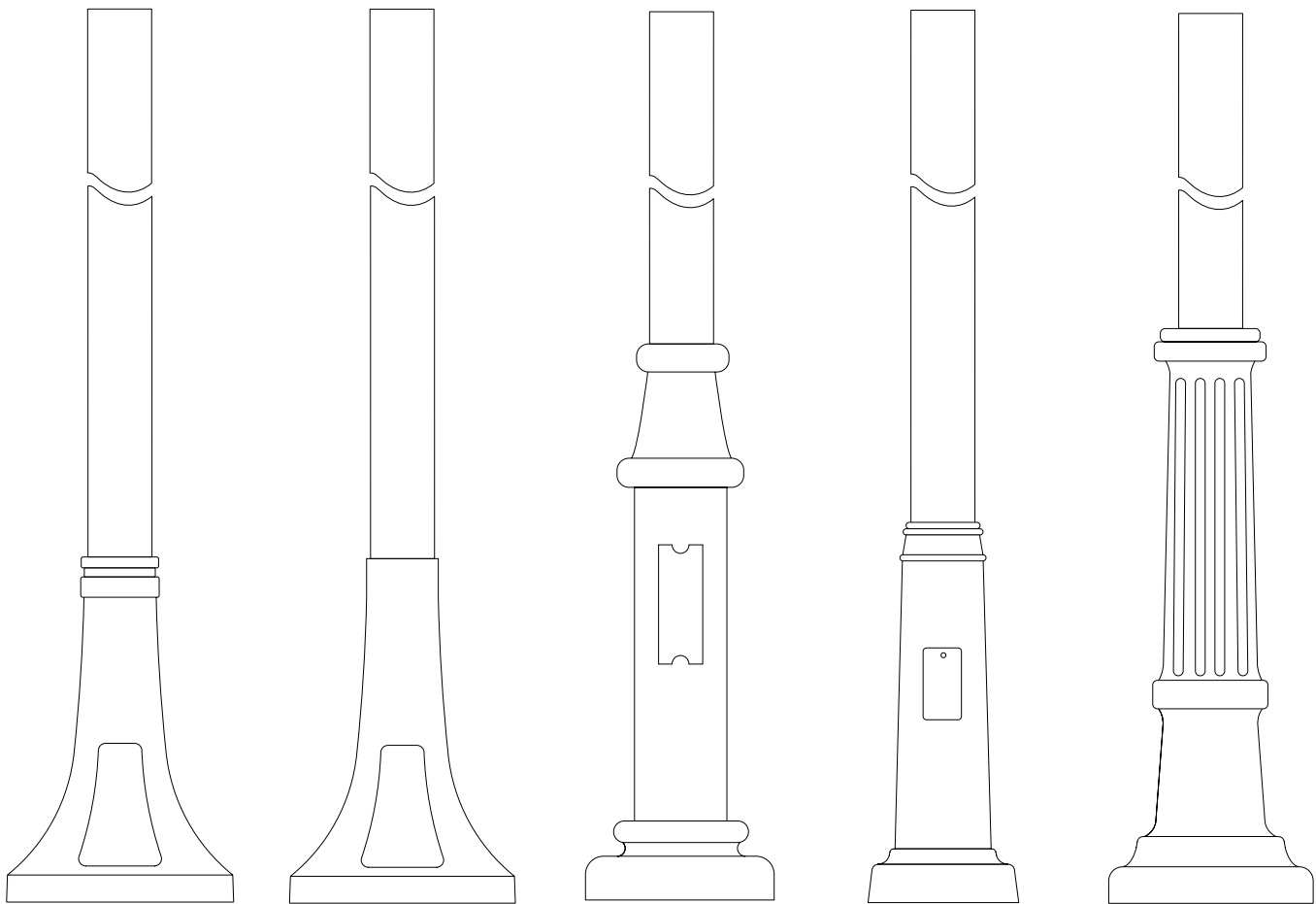
Internal house side shield is specially designed to reduce light concentration behind the pole while maintaining street side efficiency. Available on Type II, III, and IV distributions only.

DECORATIVE POLE COLLECTION

8'–20' Mounting Height

DECORATIVE POLE DETAILS

Decorative pole bases are manufactured of 356.2 cooper free cast aluminum. Bases maintain a minimal wall thickness of .250 inches. Extruded smooth or fluted shafts are manufactured of 6063 aluminum and are circumferentially welded to the base. Anchor bolt locations are cast within the base. Anchor bolts are hot dip galvanized steel. Poles are finished in a premium TGIC polyester Powder coat for superior weatherability characteristics.



STL

Seattle
Base Height: 23"
Bolt Circle: 8"

Shaft Diameter	Pole Height
4"	8', 10', 12', 14', 16'

TAM

Tampa
Base Height: 30"
Bolt Circle: 11"

Shaft Diameter	Pole Height
5"	8', 10', 12', 14', 18' (Round Tapered Aluminum Only)

BWR

Broadway
Base Height: 42"
Bolt Circle: 12"

Shaft Diameter	Pole Height
8" x 4"	8', 10', 12', 14', 16', 18'

ASP

Aspen
Base Height: 40"
Bolt Circle: 15"

Shaft Diameter	Pole Height
6" x 4"	10', 12', 14', 16', 18' (Steel Only)

SHR

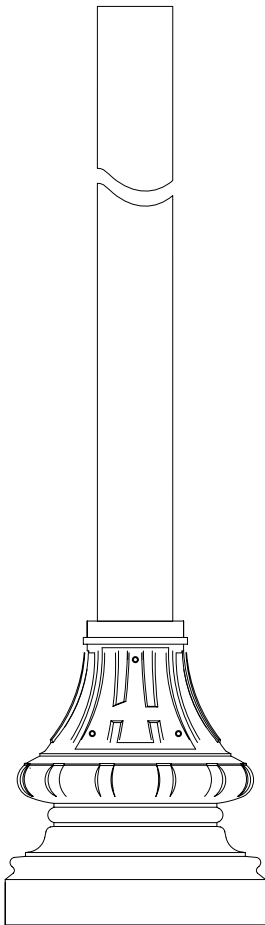
Sheridan
Base Height: 36"
Bolt Circle: 9"

Shaft Diameter	Pole Height
4"	8', 10', 12'

ORDERING INFORMATION

BASE TYPE	MOUNTING HEIGHT (ft.)	SHAFT SIZE at Base	WALL THICKNESS (gauge)	SHAFT TYPE	LUMINAIRE	COLOR	OPTIONS
ASP=Aspen	08=8'	4=4"	0=.125	RS=Round Straight	5=Tenon for MESA ¹	AP=Grey	C=Convenience Outlet
BWR=Broadway	10=10'	5=5"	1=.156	RT=Round Tapered ⁴	4=Tenon for EPIC Collection ²	BK=Black	E=GFI Convenience Outlet
CHI=Charleston	12=12'	6=6"	2=.188	SF=Straight Fluted		BZ=Bronze	G=Ground Lug
CPR=Chesapeake	14=14'	8=8" ³				DP=Dark Platinum	
SHR=Sheridan	16=16'					WH=White	
STL=Seattle	18=18' ³					GN=Hartford Green	
TAM=Tampa	20=20'					GM=Graphite Metallic	
UBN=Utica							
WA3=Washington 3							

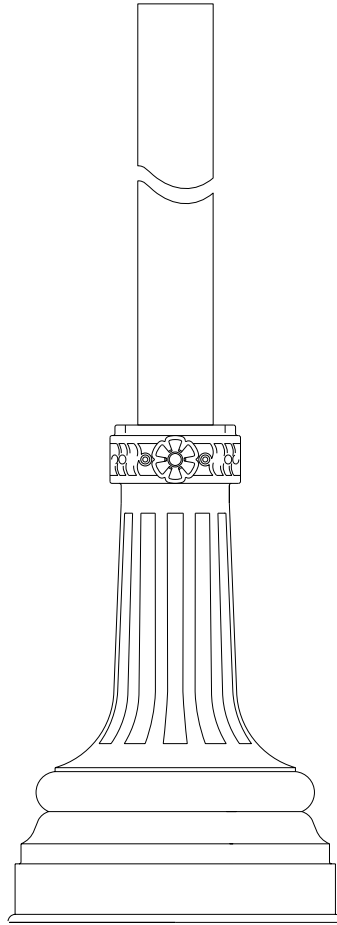
NOTES: 1 Provided with 3" O.D. Tenon.
 2 Provides 4" Tenon on 5" shafts or no tenon on 4" shafts allowing slip over of EPIC Collection, SLIDE or FLITE arm accessories. See EPIC Collection brochure for additional information on arms.
 3 Round Tapered only.
 4 All "RT" shafts are tapered to 4".



WA3

Washington 3
 Base Height: 21"
 Bolt Circle: 10 3/4"

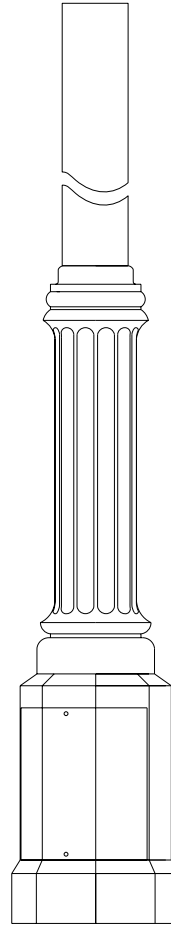
Shaft Diameter	Pole Height
4"	8', 10', 12'
5"	8', 10', 12', 14', 16', 18'
6"	12', 14', 16', 18', 20'



CHI

Charleston
 Base Height: 30"
 Bolt Circle: 10 3/4"

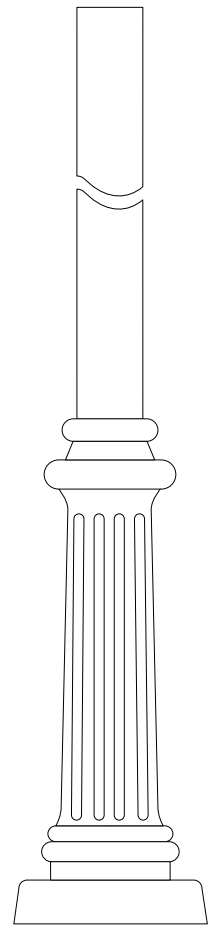
Shaft Diameter	Pole Height
4"	8', 10', 12'
5"	8', 10', 12', 14', 18'
6"	16', 18', 20'



CPR

Chesapeake
 Base Height: 40 1/2"
 Bolt Circle: 12 1/4"

Shaft Diameter	Pole Height
4"	8', 10', 12'
5"	8', 10', 12', 14'



UBN

Utica
 Base Height: 28"
 Bolt Circle: 10 3/4"

Shaft Diameter	Pole Height
4"	8', 10', 12'
5"	8', 10', 12'



CUSTOMER FIRST CENTER
1121 HIGHWAY 74 SOUTH
PEACHTREE CITY, GEORGIA 30269
770.486.4800
FAX: 770.486.4801

Domestic Facilities, USA
Cranbury, New Jersey
Elk Grove Village, Illinois
Irving, Texas
Ontario, California
Peachtree City, Georgia

International Sales, USA
Peachtree City, Georgia

CANADA
Cooper Lighting
5925 McLaughlin Road
Mississauga, Ontario L5R 1B8
905.507.4000
Fax: 905.586.7049

Domestic Facilities, Canada
Calgary, Alberta
Chomedey, Laval P.Q.

Cooper Lighting
All rights reserved
Printed in USA

The Cooper Lighting Family

- Halo
- Portfolio
- Metalux
- Neo-Ray
- Corelite
- Lumark
- INVUE
- McGraw-Edison
- Streetworks
- Sure-Lites
- Fail-Safe
- Shaper
- Iris
- Lumière
- MWS

EPIC Collection

DECORATIVE AREA COLLECTION

