

# Series 815LED-PAR30

Logic5™ 6" Recessed Downlight 11W/22W/36W/44W/55W LED PAR30

LED RECESSED



Patent Pending



ENGINEERING SPECIFICATIONS

**(A) Transformer Housing**

- Recyclable Extruded Aluminum
- Only two screws on cover plate for easy access to Transformer

**Dimming Electronic LED Driver**

- Electronic Dual Voltage 120V/277V 60Hz
- 700mA constant current for 11/22W, 1.4 amps constant current for 44W
- Dimming from 100% to 1%. Compatible with Lutron dimmers
- Power Factor >.90 at full load
- THD <20% at full load
- FCC part 15 compliant
- UL 8750 recognized
- Class 2 Output
- 50,000 hour rated life, 5 Year Warranty

**Electronic LED Driver**

- Input 120VAC 60 Hz → Output 12VAC 60 Hz
- Input 230VAC 50 Hz → Output 12VAC 50 Hz
- Input 277VAC 60 Hz → Output 12VAC 60 Hz
- Input 347VAC 60 Hz → Output 12VAC 60 Hz
- 90%+ High Power Factor (HPF)
- All solid-state components
- Sound Rate "A"
- Transient Protected
- EMI/RFI – Complies with FCC Part 18c
- Tantalum Capacitor
- Quick connect electrical connection for easy replacement
- 5 Year Warranty, 50,000 hour rated life



**(B) Heatsink**

- Extruded Recyclable Aluminum Heatsink for venting LED Lamp
- Die cast Recyclable Aluminum cover plate

**(C) Glare Shield / Snoot**

- Recyclable Aluminum extruded glare shield
- Built-in 1" glare control snoot and retention ring holds elements and optic
- Comes in the same color as fixture finish unless stated otherwise.

**(D) Element Holder (Optional)**

- Spun aluminum trim.
- Matt black powder coat paint.
- Three steps to accept circular metal retention rings.
- Holds up to two different elements.

**(F) LED Interchangeable Optic**

- Retention ring holds optic in place

|                   | 22W | 44W |
|-------------------|-----|-----|
| Narrow Spot Lens  | 12° | 12° |
| Spot Lens         | 16° | 24° |
| Narrow Flood Lens | 21° | 31° |
| Flood Lens        | 26° | 39° |

**(G) Color Filter (Optional)**

- Available in Halogen, Dimmed Halogen, Red, Amber, Yellow, Green, and Blue.

**(H) Louver (Optional)**

- 3/8" Deep Honeycomb Louver.

**(I) Lamp - Light-Emitting Diode**

- 11W • 22W • 36W • 44W • 55W • 2700K • 3000K • 86CRI • 90+CRI
- Dimmable 100% to 1% - Triac dimming - Utilize magnetic low wattage controls
- Modular & Replaceable - Driver, LED and Optic
- 100,000 hour rated life at 70% of lumens output
- 5 Year Warranty
- CREE white XPG LED
- Quick connect electrical connection for easy replacement
- 80% Energy Savings
- RoHS compliant
- No harmful UV
- No harmful IR light
- Environmentally Safe: Contains No Mercury (Hg) No Lead (Pb)



**(J) New Construction**

- Adjustable hanger bars extend to 24"
- Suitable for T-Bar or solid ceiling construction

**(K) Architectural Snoots (Optional)**

- 3" Cross Hair with Straight Sided Snoot
- 3" Straight Sided Snoot

**(L) Remodel Version (Optional)**

- 6" deep drawn remodel ring or less.
- To be used in up to 5/8" thick dry wall only.
- Remodel comes with frameless fixture to be used with remodel ring.

**(M) Beauty Ring (Optional)**

- 10" Beauty Ring with 6" opening (must be used in conjunction with Bridge)

**(N) Bridge (Optional)**

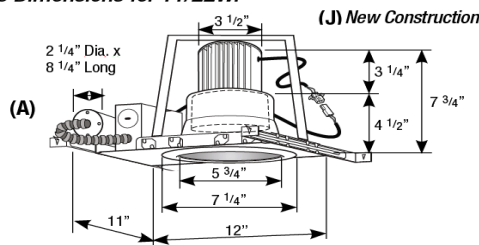
- Bridge (Must be used in conjunction with the Beauty Ring)
- Standard on new construction and remodel application

**Label**

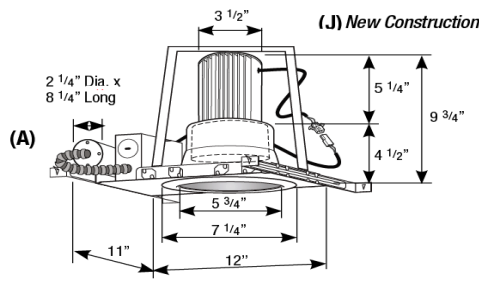
- ETL Listed – Patent Pending
- IC Rating

FIXTURE DETAILS

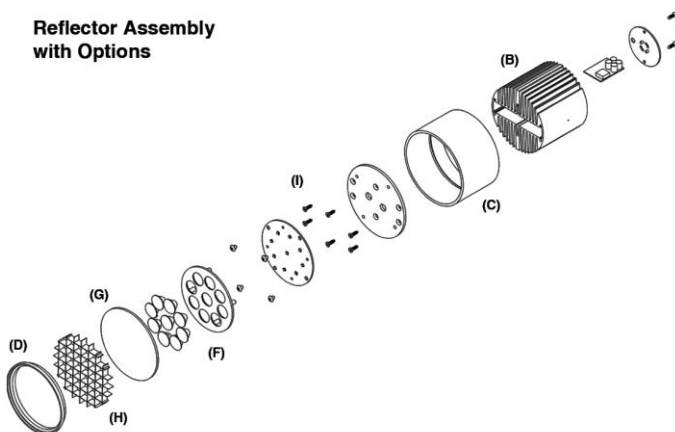
**Fixture Dimensions for 11/22W:**



**Fixture Dimensions for 44W:**



**Reflector Assembly with Options**



**JANMAR LIGHTING, INC.**

730 West Golden Grove Way, Covina, CA 91722  
Tel. No. (626) 858-6776 Fax No. (626) 967-0314

Specification sheet subject to change without notice

|                 |  |       |  |
|-----------------|--|-------|--|
| Project Name:   |  | Type: |  |
| Catalog Number: |  | Date: |  |

# Series 815LED-PAR30

Logic5™ 6" Recessed Downlight 11W/22W/36W/44W/55W LED PAR30



LED PAR30 PHOTOMETRICS

## Color Temperature 3000K

### 22.3W LED PAR30 (top) & 44W LED PAR30 (bottom)

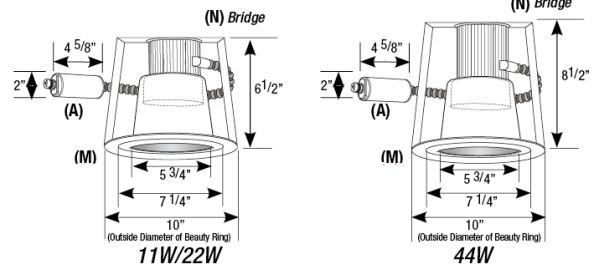
|     | 22.3W PAR30<br>1048 LUMENS | 22.3W PAR30<br>966 LUMENS | 22.3W PAR30<br>867 LUMENS | 22.3W PAR30<br>884 LUMENS |
|-----|----------------------------|---------------------------|---------------------------|---------------------------|
| 2'  | 3328FC 0.4' Dia.           | 2289FC 0.6' Dia.          | 1024 FC 0.7' Dia.         | 634 FC 0.9' Dia.          |
| 4'  | 823FC 0.8' Dia.            | 572 FC 1.1' Dia.          | 256 FC 1.5' Dia.          | 158 FC 1.9' Dia.          |
| 6'  | 363FC 1.3' Dia.            | 254FC 1.7' Dia.           | 114FC 2.2' Dia.           | 70 FC 2.8' Dia.           |
| 8'  | 203 FC 1.7' Dia.           | 143 FC 2.2' Dia.          | 64 FC 3.0' Dia.           | 40 FC 3.7' Dia.           |
| 10' | 129 FC 2.1' Dia.           | 91 FC 2.8' Dia.           | 41 FC 3.7' Dia.           | 25 FC 4.7' Dia.           |
| 12' | 90 FC 2.6' Dia.            | 63FC 3.3' Dia.            | 28 FC 4.5' Dia.           | 18 FC 5.6' Dia.           |
|     | NSP 12.3°                  | SP 16°                    | NFL 21°                   | FL 26°                    |
|     | 44W PAR30<br>2730 LUMENS   | 44W PAR30<br>2512 LUMENS  | 44W PAR30<br>2254 LUMENS  | 44W PAR30<br>2298 LUMENS  |
| 2'  | 4240FC 0.6' Dia.           | 2907FC 0.9' Dia.          | 1300FC 1.2' Dia.          | 805FC 1.6' Dia.           |
| 4'  | 1060FC 1.2' Dia.           | 727 FC 1.8' Dia.          | 325FC 2.4' Dia.           | 201FC 3.2' Dia.           |
| 6'  | 471FC 1.9' Dia.            | 323FC 2.7' Dia.           | 115FC 3.7' Dia.           | 89FC 4.9' Dia.            |
| 8'  | 265FC 2.6' Dia.            | 182FC 3.6' Dia.           | 81FC 4.9' Dia.            | 50FC 6.5' Dia.            |
| 10' | 170FC 3.2' Dia.            | 116FC 4.4' Dia.           | 52FC 6.1' Dia.            | 32FC 8.1' Dia.            |
| 12' | 118FC 3.8' Dia.            | 81FC 6.3' Dia.            | 36FC 7.3' Dia.            | 22FC 9.7' Dia.            |
|     | NSP 12.3°                  | SP 24°                    | NFL 31.5°                 | FL 39°                    |

• Feet = Height of Light source • FC = Foot-candles • Dia. = Circle of light Diameter

FIXTURE DETAILS

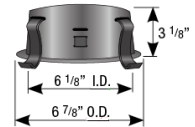
### (K) Retrofit Version

Retrofit: Shows Bridge and Beauty Ring to be used with existing fixture openings of 6-3/4" to 10"



### (L) Remodel Ring

Remodel: Use in drywall where no existing fixture exists



LOGIC 5 DESIGN STEPS

## The Logic5™ Modular LED System...

### Logic Step 1 - Application (3 Options)

- Lighting Upgrade
- Remodel
- New Construction

### Logic Step 2 - Fixture Type (Over 50 Different LED Light Fixture Choices)

- Track
- Pendant
- Recessed
- Multiples
- Surface
- Specialty
- Slot
- Exterior

### Logic Step 3 - 3 Optical sizes and 4 Wattage Options

- PAR16 - 8.4W • 9.4W • 12W • 16W • 2700K • 3000K • 86CRI • 90+CRI
- PAR20 - 16W • 18W • 24W • 28W • 2700K • 3000K • 86CRI • 90+CRI
- PAR30 - 22W • 36W • 44W • 55W • 2700K • 3000K • 86CRI • 90+CRI

### Logic Step 4 - Beam Spread (4 Options)

- Change beam spread by changing modular LED optic
- Easy access to lamp for lamp replacement
- Modular housing are interchangeable with all Logic5™ LED family of products

#### Standard 4 Optics

- Narrow Spot - 12.3°
- Spot Lens - 21°
- Narrow Flood Lens - 16°
- Flood Lens - 26°

### Logic Step 5 - Elements (Up to 2 Elements)

- Optional Element provides ability to add up to two elements with snap-in metal retention ring
- Diffusing Filter - Two Options:
  - Linear Spread Lens
  - Lens Softener
- Louver Two:
  - 1/8" Deep Honeycomb Louver
  - Cross Hair Louver
- Architectural Snoots - One Options:
  - 3" Cross Hair with Straight Sided Snoot
  - 3" Straight Sided Snoot
- Color Filters - Seven Options:
  - Halogen
  - Dimmed Halogen
  - Red
  - Amber
  - Yellow
  - Green
  - Blue

ORDERING INFORMATION

### Ordering Example:

Series Lamp Wattage PAR Size Element Options  
**815D - 28LED - LPAR30SP - LV - BLK**  
 Dimmable Lamp Type Beam Spread Optic Finish

| Catalog Number                              | Lamp Type | Input Watts | Input Volts | Milli-amps | Lumens | Min. Start Temp °F | Product Description |
|---|-----------|-------------|-------------|------------|--------|--------------------|---------------------|
| <b>Electronic (On/Off)</b>                  |           |             |             |            |        |                    |                     |
| 815E-1LED-LPAR30                            | LED       | 11          | 120         | 350        | 550    | -20                | 11WLPAR30           |
| 815E-22LED-LPAR30                           | LED       | 22          | 120         | 700        | 1100+  | -20                | 22WLPAR30           |
| 815E-22XLED-LPAR30*                         | XLED      | 22          | 120         | 700        | 1400   | -20                | 22WLPAR30           |
| 815E-36XLED-LPAR30*                         | XLED      | 36          | 120         | 1050       | 2500+  | -20                | 36WLPAR30           |
| 815E-43XLED-LPAR30*                         | XLED      | 43          | 120         | 1400       | 3100+  | -20                | 43WLPAR30           |
| 815E-55XLED-LPAR30*                         | XLED      | 55          | 120         | 1670       | 4400   | -20                | 55WLPAR30           |
| <b>Triac / Magnetic Low Voltage Dimming</b> |           |             |             |            |        |                    |                     |
| 815D-28LED-LPAR30                           | LED       | 28          | 120         | 700        | 1100+  | -20                | 28WLPAR30           |
| 815D-28XLED-LPAR30*                         | XLED      | 28          | 120         | 700        | 1400   | -20                | 28WLPAR30           |
| 815D-40XLED-LPAR30*                         | XLED      | 40          | 120         | 1050       | 3000   | -20                | 40WLPAR30           |
| <b>0-10V Dimming</b>                        |           |             |             |            |        |                    |                     |
| 81510V-43XLED-LPAR30*                       | XLED      | 43          | 120         | 1400       | 3100   | -20                | 43WLPAR30           |
| <b>Lutron Dimming</b>                       |           |             |             |            |        |                    |                     |
| 815DL-40XLED-LPAR30*                        | XLED      | 40          | 120         | 1200       | 3000   | -20                | 40WLPAR30           |
| <b>DMX Dimming</b>                          |           |             |             |            |        |                    |                     |
| 815DMX-55XLED-LPAR30*                       | XLED      | 55          | 120         | 1200       | 4400   | -20                | 55WLPAR30           |

\*XLED - Wattage +20% Brighter With XLED

#### Color Temperature Option (Must Select):

|      |   |
|------|---|
| 27K  | 2700 Kelvin ( Incandescent Color )  |
| 30K  | 3000 Kelvin ( Halogen Color )   |
| RGBW | Red, green, blue, white color changing ( must utilize DMX driver fixture option ) |

#### Color Rendering Index (CRI)

|     |             |
|-----|-------------|
| 80+ | CRI over 80 |
| 90+ | CRI over 90 |

#### Beam Spread (Must Select):

|     |                         |    |                  |
|-----|-------------------------|----|------------------|
| NSP | Narrow Spot - 12.3°     | SP | Spot Lens - 21°  |
| NFL | Narrow Flood Lens - 16° | FL | Flood Lens - 26° |

#### Fixture Color Option (Must Select):

|     |                      |     |                      |
|-----|----------------------|-----|----------------------|
| WHT | Textured Matte White | BLK | Textured Matte Black |
| PWT | Pewter               |     |                      |

Custom colors available - Consult factory for more details

#### Reflector Color Option (Must Select):

|     |                                 |     |                                |
|-----|---------------------------------|-----|--------------------------------|
| WHT | Textured matte white reflector  | BLK | Textured matte black reflector |
| PWT | Smooth matte pewter reflector   | SA  | Specular Reflector             |
| INC | Incandescent aluminum reflector | COP | Matte copper reflector         |
| MA  | Matte aluminum reflector        | EXP | Expresso reflector             |

#### Option:

|     |  |
|-----|--|
| HWD | Hardwire   |
| SCR | Screw-in (RET only)  |
| NC  | New Construction   |
| REM | Remodel (for use in 5/8" drywall existing fixtures do not exist)   |
| RET | Retrofit (Fits into existing 4" diameter downlights)   |
| DMX | .39% to 100%, 1200 milliamp constant voltage LED driver, dip switch addressable, 3 channel for 27K & 3K, 4 channel for RGBW, CAT5 in & out** |

\*\*DMX is required in RGBA or in any 2 circuits or more  
 Custom colors available - Consult factory for more details

#### Element Options:

|            |                                  |            |                     |
|------------|----------------------------------|------------|---------------------|
| EC-LPAR30  | 1/8" Deep Black Honeycomb Louver | YLW-LPAR30 | Yellow Color Filter |
| LSL-LPAR30 | Linear Spread Lens               | RED-LPAR30 | Red Color Filter    |
| LS-LPAR30  | Lens Softener                    | AMB-LPAR30 | Amber Color Filter  |
| HAL-LPAR30 | Halogen Color Filter 2600K       | GRN-LPAR30 | Green Color Filter  |
| DH-LPAR30  | Dimmed Halogen Filter            | BLU-LPAR30 | Blue Color Filter   |

Specification sheet subject to change without notice

## JANMAR LIGHTING, INC.

730 West Golden Grove Way, Covina, CA 91722  
 Tel. No. (626) 858-6776 Fax No. (626) 967-0314

|                 |  |       |  |
|-----------------|--|-------|--|
| Project Name:   |  | Type: |  |
| Catalog Number: |  | Date: |  |