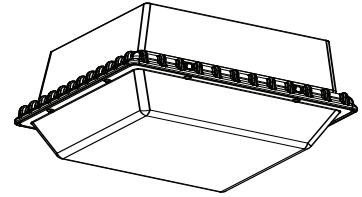


# NITE BRITES

## CLL -LED CANOPY LIGHT 90 watt LED



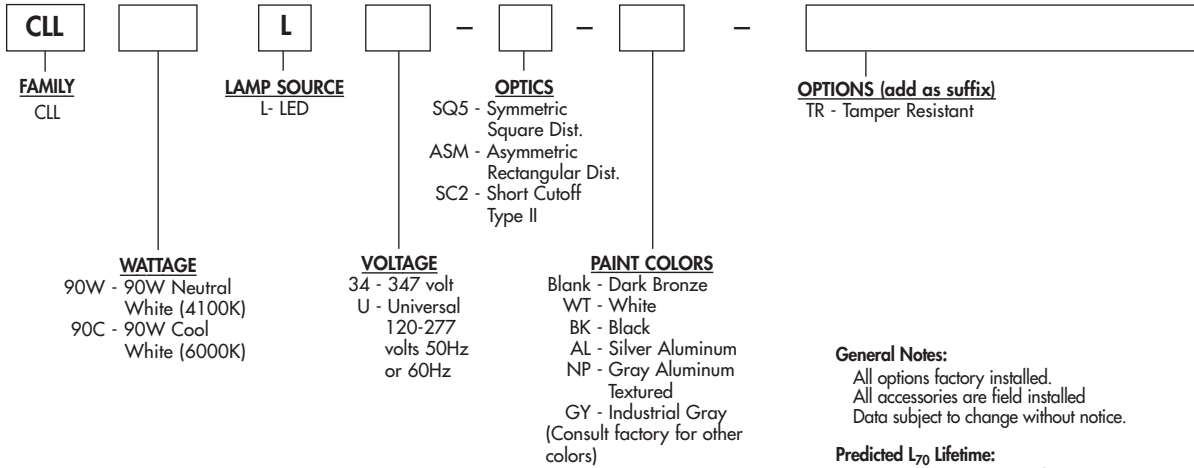
CLL-LED CANOPY LIGHT

JOB NAME \_\_\_\_\_  
TYPE \_\_\_\_\_

The CLL LED Canopy Light is perfect for applications with ceiling heights of 15 feet and below. It provides even light distribution for walkways, building exteriors, maintenance areas, industrial areas, corridors, freezers, and storage areas.

### ORDERING MATRIX

SAMPLE CATALOG NUMBER: CLL90CLU-SQ5



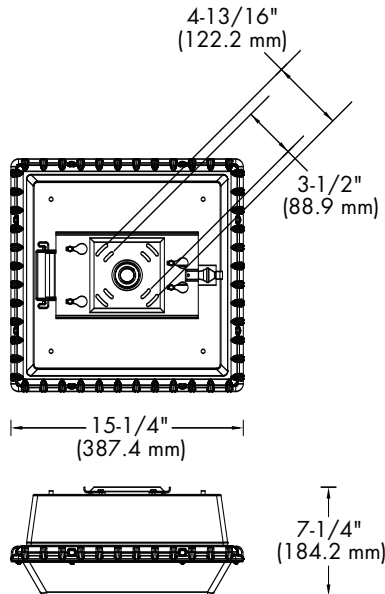
**General Notes:**  
All options factory installed.  
All accessories are field installed.  
Data subject to change without notice.

**Predicted L<sub>70</sub> Lifetime:**  
25°C Ambient - >60,000 hours  
(based upon LED manufacturer's supplied LM-80 data and in-situ laboratory testing)

### ACCESSORIES (order separately)

- GLR-HSK - Hang Straight Kit
- GLR-75 - Round Junction Box, Die-Cast Alum. with 1/2" NPS Threaded Hubs
- GLR-753 - Round Junction Box, Die-Cast Alum. with 3/4" NPS Threaded Hubs
- GLR-UJB1 - Square Junction Box, Die-Cast Alum. with 3/4" NPS Threaded Hubs

### DIMENSIONS

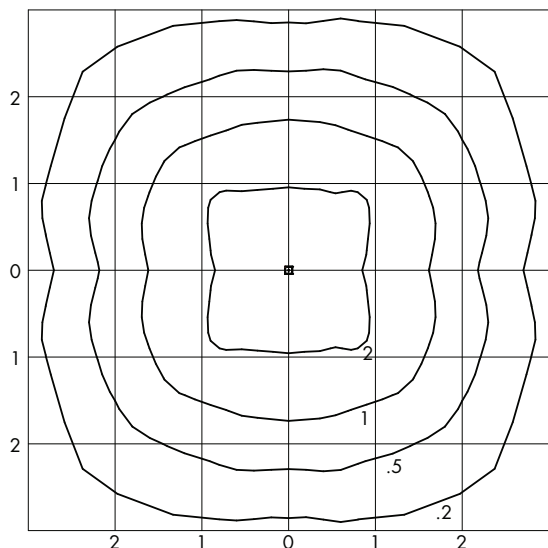


WEIGHT = 18 lbs. (max.)

CL-44060.1

**PHILIPS  
Day-Brite**

## PHOTOMETRICS



UNITS SHOWN IN TERMS OF MOUNTING HEIGHT  
INITIAL FOOTCANDLES SHOWN

CATALOG NUMBER: CLL90CLU-SQ5  
 TEST NUMBER: 28290  
 LAMP: LED  
 WATTAGE: 94  
 LUMENS: 4902  
 TILT ANGLE: 0°  
 MOUNTING HEIGHT: 12 FEET

Note:  
 Photometric values based on tests  
 performed in compliance with LM-79

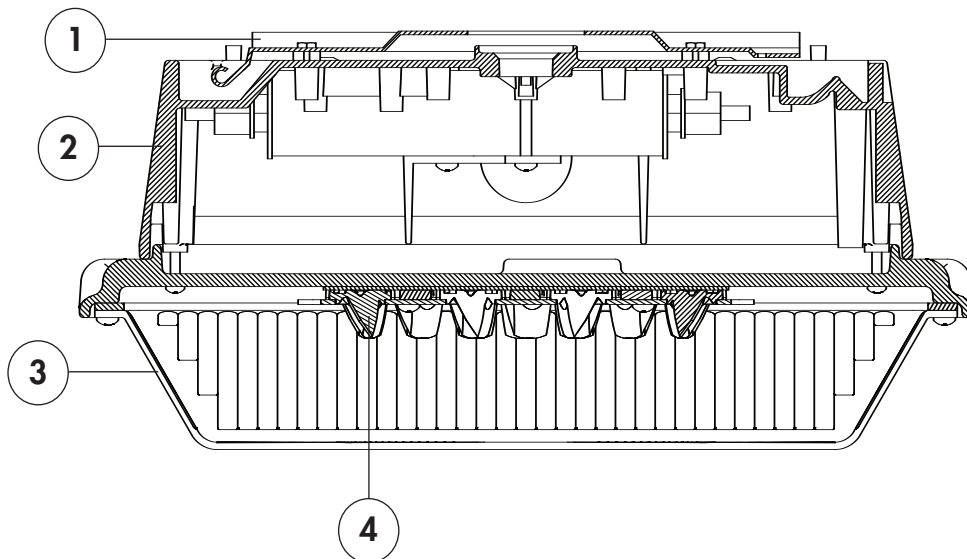
LIGHT LEVEL MULTIPLYING FACTORS	
MOUNTING HEIGHT	MULTIPLIER
15'	0.64
14'	0.73
13'	0.85
12'	1.00
11'	1.19
10'	1.44
9'	1.78
8'	2.25

## PRODUCT FEATURES

Certified to meet UL1598 standards for wet location and 40°C ambient.

1. Quick mount plate permits easy installation to recessed, surface or pendant mounted junction boxes. Luminaire does not have to be opened to be installed.
2. Rugged die cast aluminum housing provides excellent heat dissipation and helps extend component life.
3. Polycarbonate prismatic refractor provides reduced glare and impact resistance.
4. Polyester powder finish for excellent impact, corrosion and UV resistance.
5. Furnished with 10kV surge protector.
6. Components are RoHS compliant.
7. LED light engine and driver are field replaceable.

**5 Year Limited Warranty**



**CL-44060.1**

**DAY-BRITE LIGHTING** • [www.daybritelighting.com](http://www.daybritelighting.com)  
 776 South Green Street • Tupelo, Mississippi 38804 • PH: (662) 842-7212 • FAX: (662) 841-5501  
**CANADIAN DIVISION**  
 189 Bullock Drive • Markham, Ontario L3P 1W4 • PH: (905) 294-9570 • FAX: (905) 294-9811  
 ©JUNE 2010 All rights reserved.

**PHILIPS**  
**Day-Brite**