

PROJECT	FIRM	SPECIFIER
CATALOG NO.	QUANTITY	DATE

# LUNERA SERIES 22 - GEN 4

2'x2' Grid Lay-In LED Luminaire with Replaceable LEDs

## Product Description

This fourth generation Lunera SERIES 22-G4 is a recessed LED troffer and surface mountable fixture that delivers up to 4,000 lumens of beautiful 86+ CRI light while achieving a high 100 lumens per watt. This performance is achieved by combining high efficacy and high quality LEDs, selected using the Lunera truLITE™ Color Consistency Process, with excellent thermal management design.

The slim 2" high housing makes it ideal for low plenum and surface mount applications in addition to being an ideal grid lay-in fixture replacing traditional troffers. It's backlit design features replaceable LED modules for field upgrades over the fixture's life. The Lunera SERIES 22-G4 is available in warmer or neutral color temperatures and supports standard 0-10V dimming and Lutron EcoSystem® controls.

The Lunera SERIES 22-G4 is perfect for use in commercial new construction or retrofit applications including Class A offices, schools, hospitals, data centers, and retail stores. Lunera fixtures are backed by a 5-year warranty, and have been independently tested and certified by third party organizations.

## Performance Summary

Design: Low profile with replaceable LED modules

Utilizes Lunera truLITE™ Color Consistency Process

Available pre-configured with a variety of 3rd party controls and drivers

Efficacy: 100 lumens per watt

Delivered Light Output: 3,500 or 4,000 lumens

Input Power: 35 or 40 watts

CRI: 86.1

CCT: 3500K, 4000K

Input Voltage: 120-277V, 50/60Hz

Dimming: 0-10V standard

Warranty and Lifetime: 5 year warranty, 50,000 hour lifetime

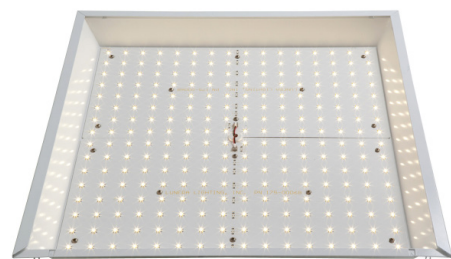
Testing: LM79, UL, DLC & Lighting Facts pending - due 9/20/12

Mounting: Recessed, Dry Wall Surface Mount, Garage Mount

Fixture-Only Weight and Dimensions: 11 lbs, L 24" x W 24" x H 2"

\* Fixture measurements are rounded up. Please contact your Lunera representative for exact dimensions.

## SERIES 22-G4



## Ordering Information

22	G4		Blank			IN	
Fixture Series	Generation	CCT	Voltage	Fixture Wattage/Output	Controls	Driver Mount	Options
22 2' x 2'	G4 4 <sup>th</sup> Gen	35K 3500 Kelvin 40K 4000 Kelvin	Blank 120-277V	40: 40W / 4000 lm 35: 35W / 3500 lm	10V 0-10V Dimming LUT Lutron EcoSystem®	IN Integrated	Blank No Option BBU120 120V Emergency Backup not available w/ Lutron control



# LUNERA SERIES 22 - GEN 4

## Product Specifications

### Illumination

Color Temperatures	3500K, 4000K
Lumens (3500K shown)	3,500 or 4,000 lumens
Efficacy (3500K shown)	100 lumens per watt
Color Consistency	Lunera truLITE™ Proprietary Process
Lumen Maintenance (L70)	50,000 hours life

### Electrical System

Power Factor	> 90%
Total Harmonic Distortion	< 20%
Input Voltage	120V - 277V, 50/60Hz
Power Consumption	35W or 40W
Dimming	0-10V (IEC 60929 Annex E, source)
Emergency Backup	Optional (factory installed)

### Physical (without integrated driver or control)

Dimensions (H x W X D)	24" x 24" x 2"
Weight	11 lbs
Housing and Finish	Pressed Steel, White Powder Coated
Optics	Optical Acrylic Diffusion

### Environment

Operating Temperature	-4°F to 122°F (-20°C to 50°C)
Humidity	20% to 85% RH, non-condensing

### Installation

Spacing Criteria	1.2
Remotable Driver	Yes, up to 100'
Mounting	15/16, 9/16 Drop Ceilings, Chicago Plenum, Optional Drywall Surface and Garage Mount

### Certifications & Qualifications

UL Listed	Yes
DLC Qualified	Pending - Due 9/20/12
Lighting Facts Verified	Pending - Due 9/20/12
RoHS Compliant	Yes, contains no lead or mercury
LM79 Tested	Yes

### Warranty

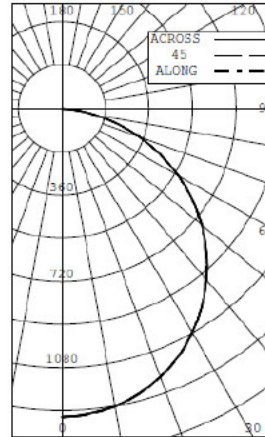
Warranty	5 years
----------	---------

## Projected Photometry

Fixture photometry has been conducted by a NVLAP accredited testing laboratory in accordance with IESNA LM79-08. IESNA LM79-08 specifies the entire luminaire as the source resulting in a fixture efficiency of 100%. Results may vary per actual order.

### 3500 Lumen Version Test Report # L08125201

#### Polar Intensity Plot



#### Average Luminance (cd/m<sup>2</sup>)

Vertical Angle	Horizontal Angle		
	0°	45°	90°
0°	1317	1317	1317
5°	1309	1305	1309
15°	1248	1244	1248
25°	1137	1134	1136
35°	987	984	986
45°	810	808	809
55°	616	614	614
65°	423	421	421
75°	217	215	214
85°	53	52	51
90°	0	0	0

#### Zonal Lumen Summary

Zone	Lumens	%Lamp	%Fixture
0° - 30°	998	N/A	28.5
0° - 40°	1615	N/A	46.2
0° - 60°	2789	N/A	79.8
0° - 90°	3497	N/A	100

#### Application Reference (40W)

OPEN SPACE					
Spacing	Lumens	Wattage	LPW	w/ft <sup>2</sup>	Avg. fc
8x8	3497	35	100	0.547	52
8x10	3497	35	100	0.438	42
10x10	3497	35	100	0.350	35
10x12	3397	35	100	0.292	27

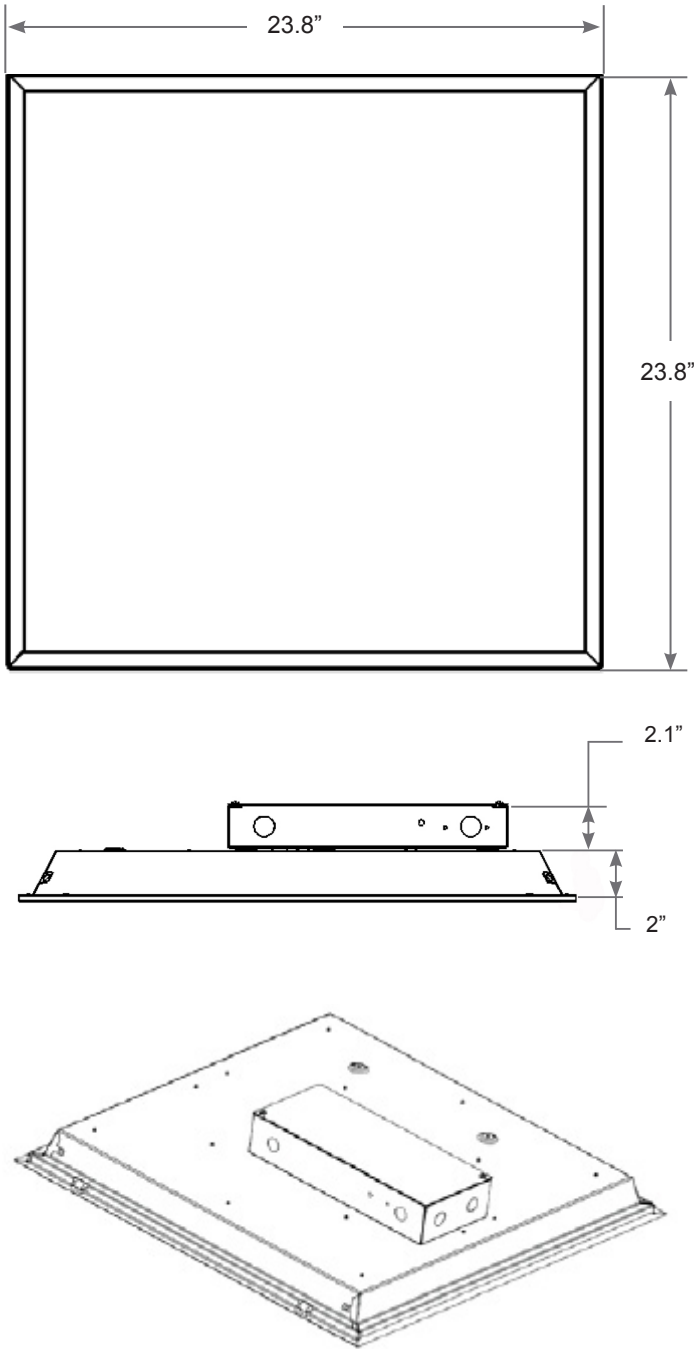
Ceiling Height: 9'  
LLF: 1.0 Initial

Reflectances: 80/50/20  
Space: Open room, 50' x 40' x 9'

Workplane: 2.5'

# LUNERA SERIES 22 - GEN 4

## Product Dimensions\*



\* Fixture measurements are rounded up. Please contact your Lunera representative for exact dimensions.

Copyright © 2012 Lunera Lighting, Inc. All rights reserved. For informational purposes only. Specifications subject to change without notice. Lunera, and the Lunera logo are registered trademarks; Lunera truLITE, Life in a New Light, and Switch on Daylight are trademarks of Lunera Lighting, Inc. All other trademarks are the property of their respective owners.

PID SERIES-LL-1065-22G4-R9-6-12

## Controls

### 0-10V

The standard Lunera SERIES 22-G4 is available without any third-party controls pre-installed. It's 0-10V dimming protocol driver is ready for integration into a variety of controllers.

### Lutron EcoSystem® Enabled

The SERIES 22-G4 is also available pre-configured for Lutron EcoSystem® support.



## Construction Materials

- Field replaceable LED modules, driver, and power supply
- Pressed steel extrusion with white powder coating
- Tested and proven LEDs

## Optics

- Precision optics and diffusing lens achieves a uniform light distribution across the surface of the lens
- The design of the fixture's optics, housing, and active components optimize delivery of light onto walls and horizontal and vertical surfaces to volumetrically fill a space

## Product Accessories

### SM3

Drywall Surface Mount Kit

### GM3

Garage Mount Kit

## Product Options

### BBU

The Lunera SERIES 22-G4 can be ordered with a factory-installed 120V Philips Bodine BSL26C Emergency Backup Unit (BBU).

For more information visit [www.bodine.com/products/led.html](http://www.bodine.com/products/led.html).

