

# HH8-LED 8" ARCHITECTURAL HIGH LUMEN LED DOWNLIGHT

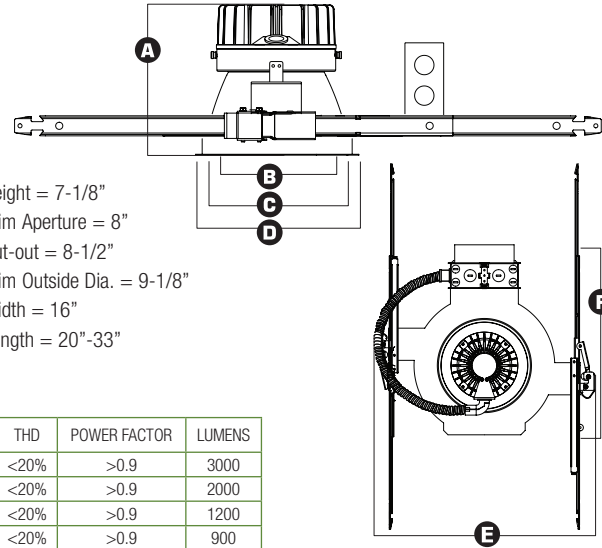


**NEW**

**PHILIPS ADVANCE**  
Quality LED Drivers



**3000 LUMENS**



| INPUT VOLT. | INPUT FREQ. | INPUT CUR.  | INPUT POWER | THD  | POWER FACTOR | LUMENS |
|-------------|-------------|-------------|-------------|------|--------------|--------|
| 120/277     | 50/60Hz     | 333mA/144mA | 40W(+/-5%)  | <20% | >0.9         | 3000   |
| 120/277     | 50/60Hz     | 266mA/115mA | 32W(+/-5%)  | <20% | >0.9         | 2000   |
| 120/277     | 50/60Hz     | 200mA/86mA  | 24W(+/-5%)  | <20% | >0.9         | 1200   |
| 120/277     | 50/60Hz     | 150mA/65mA  | 16W(+/-5%)  | <20% | >0.9         | 900    |

**DESCRIPTION** - 8" LED dedicated Architectural New Construction Downlight with integral LED heat management casting and driver (installed on junction box). Available in 900 lumens (16W), 1200 lumens (24W), 2000 lumens (32W) & 3000 lumens (40W). Lighting is smooth and comfortable while using 25% less energy than the common CFL downlight. Plus the eco-friendly Maxilume LED system features 70% lumen maintenance at 50,000 hours life, with Energy Star and California Title-24 (compliances pending).

LED  
8"

**FEATURES** - Maxilume LED luminaires are ideally suited for use in hospitality, health care, commercial, institutions, retail and other architectural applications.



**OPTICS** - MAXILUME LED Optilux technology combines unmatched performance with visual comfort. Spun 0.05" thick reflector has been designed to gather the light scattered by the LED chip and shape it into functional beams that minimize brightness and glare, while eliminating lamp image. Reflector offers a 55 degree cutoff and smooth frost acrylic diffuser distributes light even throughout the workplace.

**PERFORMANCE** - Operating system delivers 900 lumens (16W), 1200 lumens (24W), 2000 lumens (32W) & 3000 lumens (40W). All MAXILUME LED luminaires are rated at 85+ CRI. Our stringent chip specifications require only those Chips that produce no ultra violet and virtually no infrared. All LED luminaires are rated and tested to LM-79 and LM-80 standards by an independent laboratory.

**THERMAL MANAGEMENT SYSTEM** - Using a proprietary coolLED Advanced Thermodynamic Design, Die-cast aluminum housing and heat management system are engineered for extremely long life and service period. Heat sink is attached to top of reflector. The LED light engine is attached to the die-cast heat sink and is easily replaceable and upgradable. Without proper heat management, any LED luminaire will fail. Our die-cast system pulls the heat form the LED chip, allowing continued cool operation for years. Life tests have shown the MAXILUME light engine output will be maintained at 70% of initial at 50,000 hours of operation.

**DIMMABLE** - The MAXILUME LED system is fully dimmable down to 10% of initial light output with a 0-10 Volt dimmer when ordered with the following options (DIM10-120, DIM10-277). Fixtures can be shipped with a Lutron Hi-lume A series Driver which can be dimmed with Lutron Dimming Systems when ordered with the following options (LUTH-120, LUTH-277). Consult Factory for details.

**LED DRIVER/JUNCTION BOX** - The LED driver is rated for 50 to 60Hz at 120V /277V input, produces less than 20%THD, and has a power factor between 90% and 100% and is thermally protected for additional safety. MAXILUME's LED driver is installed on the junction box cover so it may be serviced from below the ceiling. UL Listed for through-branch circuit wiring, provided with four 1/2" knockouts, one 3/4" knockout and four Romex knockouts with true pryout slots and strain clamps. Designed for straight through conduit runs.

**MOUNTING FRAME** - Die-formed construction for maximum heat dissipation and rust protection.

**MOUNTING BRACKET** - Constructed from 16 gauge steel and is supplied with C-channel that are adjustable up to 28". Mounting bracket maybe adjusted up to 2-3/4" vertically from inside the housing.

**OUR WORD** - The MAXILUME LED lighting system is warranted for 5 years. As a system, we stand behind the entire MAXILUME products from housing to bar hangers.

**LISTING**  
 c-UL-us / c-ETL-us - listed for Damp location.  
 c-UL-us / c-ETL-us - listed for feed Through Wiring.  
 LM79 / LM80

**DIMMING INFORMATION**  
 DIM10 (0-10V Dimming)  
 LUTH (Lutron® Hi-lume® Dimming)

8 INCH ARCHITECTURAL HIGH LUMEN LED DOWNLIGHT

Example: HH8-LED-900L-DIM10-120-FL-30K-HH8-8501-CL-WH

| TYPE    | 16 WATT  | 24 WATT  | 32 WATT  | 40 WATT  | OPTICS                      | COLOR  | EMERGENCY                        | TRIM TYPE  | REFLECTOR/ RING FINISH  | DISC   |   |  |
|---------|--|--|--|--|-----------------------------|--|----------------------------------|--|---|--|---|--|
| HH8-LED | <input type="checkbox"/> 900L-LUTH-120<br><input type="checkbox"/> 900L-LUTH-277<br><input type="checkbox"/> 900L-DIM10-120<br><input type="checkbox"/> 900L-DIM10-277 | <input type="checkbox"/> 1200L-LUTH-120<br><input type="checkbox"/> 1200L-LUTH-277<br><input type="checkbox"/> 1200L-DIM10-120<br><input type="checkbox"/> 1200L-DIM10-277 | <input type="checkbox"/> 2000L-LUTH-120<br><input type="checkbox"/> 2000L-LUTH-277<br><input type="checkbox"/> 2000L-DIM10-120<br><input type="checkbox"/> 2000L-DIM10-277 | <input type="checkbox"/> 3000L-LUTH-120<br><input type="checkbox"/> 3000L-LUTH-277<br><input type="checkbox"/> 3000L-DIM10-120<br><input type="checkbox"/> 3000L-DIM10-277 | <input type="checkbox"/> FL | <input type="checkbox"/> 30K<br><input type="checkbox"/> 35K<br><input type="checkbox"/> 40K | <input type="checkbox"/> EMG-LED | <input type="checkbox"/> HH8-8501<br><input type="checkbox"/> HH8-8507<br><input type="checkbox"/> HH8-8509<br><input type="checkbox"/> HH8-8510<br><input type="checkbox"/> HH8-8511<br><input type="checkbox"/> HH8-8521 | <input type="checkbox"/> HH8-8522<br><input type="checkbox"/> HH8-8523<br><input type="checkbox"/> HH8-8525<br><input type="checkbox"/> HH8-8528<br><input type="checkbox"/> HH8-8577 | <input type="checkbox"/> CL-WH<br><input type="checkbox"/> CL-SCH<br><input type="checkbox"/> SHZ-SHZ<br><input type="checkbox"/> SHZ-WH | <input type="checkbox"/> W-WH<br><input type="checkbox"/> MB-WH<br><input type="checkbox"/> WT-WH | <input type="checkbox"/> BLUE<br><input type="checkbox"/> RED<br><input type="checkbox"/> GREEN<br><input type="checkbox"/> FROST<br><input type="checkbox"/> AL<br><input type="checkbox"/> BZ<br><input type="checkbox"/> WH |