

ENVIRONMENTALLY FRIENDLY, ENERGY EFFICIENT

- Lumen packages suitable for ceiling heights ranging from 8' to in excess of 100'
- Efficacies up to 100 lm/w
- Superior-quality white LED light output using Chip on Board technology
- No harmful ultraviolet or infrared wavelengths
- No lead or mercury

PRODUCT SPECIFICATIONS
Optics

Reflector: Unique hyperbolic shape optimized for small, directional LED source, maximizes fixture efficiency while creating the "Silent Ceiling" appearance by reducing lamp image and aperture brightness • Geometry of hyperbolic curve provides unique aperture appearance and smoother light distribution • Medium and wide distributions available

Finishes: Low iridescent specular, semi-specular and satin Alzak® finishes available with integral flange of same finish • See reflector options for other colors and finishes

Electrical

LED Light Engine: Compact light source delivers uniform illumination without pixilation, enabling excellent beam control • Consistent fixture-to-fixture color temperature within 3 SDCM • Replaceable light engine with quick connector mounts directly to heat sink and is easily replaceable • CRI > 80

Passive Cooling: Aluminum heat sink integrated directly with housing provides superior thermal management to ensure the long life of LED

Active Cooling: Low noise, high efficiency, long life fan with ultra-low thermal resistance heat sink ensures long life and maximum performance of LEDs on light weight units of 8,500 lumens and higher • Active cooling unit easily accessible from above or below the ceiling

LED Driver: Power factor > 0.9 • Easily replaceable from above or below the ceiling.

Dimming: Dimmable via 0-10V protocol standard • Optional drivers available for use with Lutron EcoSystem or 2-wire dimmers • For a list of compatible dimmers, see LED-DIM.

Life: Rated for 50,000 hours at 70% lumen maintenance • Available with option Lumen Depreciation Indicator (LDI)

Mechanical

Housing: Low profile, universal housing design installs in suspended grid, plaster or drywall • Integral heat sink conducts heat away from LED light engine • Driver is accessible from above and below ceiling and can be upgraded to accommodate future technology improvements.

Mounting Frame: Heavy gauge steel lower housing ring accommodates ceilings up to 2" thick • For thicker ceilings; consult factory

Mounting Bracket: Mounting brackets have 3" vertical adjustment and accepts most commercial bar hangers, including our proprietary Tru-Lock bar hangers

- Our one-piece Tru-Lock bar hangers have integral T-bar locking screws and alignment notches for locating and locking fixture in the center or 1/4" tile increments

Junction Box: Over size 4" x 6" galvanized steel junction box with (6) 1/2" (2) 3/4" knockouts facilitate quick wiring • Junction box rated for four (4) No. 12 AWG 90° C branch circuit conductors (2-in, 2-out)

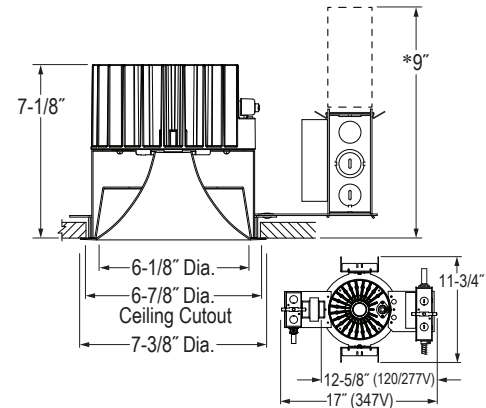
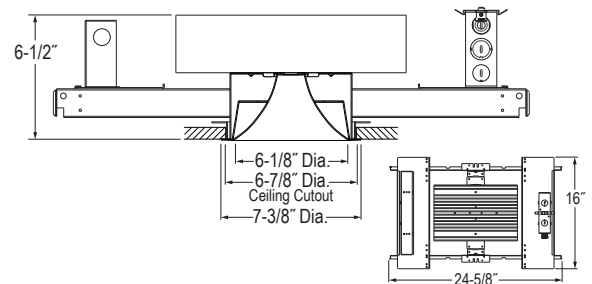
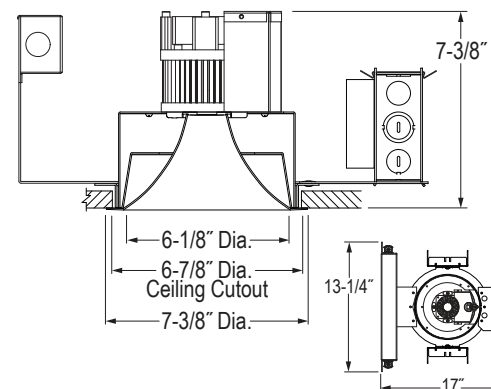
Labels and Listings

- UL listed for feed through and damp locations
- UL and cUL, RoHS compliant • EMI complies with FCC 47, Part 15, Class A
- Energy Star qualified, see back page for designated products
- I.B.E.W. Union made • ARRA Compliant

Warranty: 5 years when used in accordance with manufacturing guidelines. Product specifications subject to change without notice.


**800 TO 9000 LUMEN 6" LED
SILENT CEILING DOWNLIGHT
HYPERBOLIC OPEN APERTURE
L6 SERIES**

Type	Cat. No.
_____	_____
Project: _____	
Notes: _____	

**PASSIVE COOLING DIMENSIONS: 800 - 8000 Lumens
*6000 - 8000 Lumens**

PASSIVE COOLING DIMENSIONS: 8500 - 9000 Lumens

**SPACE SAVING ACTIVE COOLING DIMENSIONS: 8500 - 9000 Lumens
(Space Saving Active Cooling option shown)**


Example: **L6-40352-G2-LDI**

Example: **L600HW-PTS-WH**

Example: **HB-TL**

ROUGH-IN	LIGHT ENGINE LUMENS	COLOR TEMP.	VOLTAGE	GENERATION	OPTIONS
L6				G2	
08	800 lm	27	■ U Universal	G2	F Fuse and Fuse Holder † CP Chicago Plenum BR Emergency Battery Pack W/ Remote Test Switch ♦ PD Driver compatible with 3-wire fluorescent controls & Lutron Programmable Dimming EcoSystem® ♦ FDL Forward Phase Dimming Lutron Driver - 120V only (2-wire dimming, neutral wire required) LDI Lumen Depreciation Indicator (Cannot Be Used w/ BR Option) SS Space Saving Active Cooling (8500 lumens and up)
13	1300 lm	2700			
15	1500 lm	30	1		
17	1700 lm	3000	120V		
23	2300 lm	35	2		
28	2800 lm	3500	277V		
33	3300 lm	40	3		
40	4000 lm	4000	347V		
45	4500 lm				
50	5000 lm				
55	5500 lm				
60	6000 lm				
65	6500 lm				
70	7000 lm				
75	7500 lm				
80	8000 lm				
85	8500 lm				
90	9000 lm				

■ 800 & 1300 lumen fixtures are universal voltage (120/277V)
 ♦ Not Available for 4000 Lumens and up.
 • Not available for 8500 Lumens and up.
 † Available on fixtures up to 7000 lumens only

CONE	COLOR	FINISH	OPTIONS
L600H Medium Distribution 55° Beam Spread	C Clear	L Specular	WH White Flange
L600HW Wide Distribution 70° Beam Spread	G Gold WT Wheat PT Pewter BZ Bronze B Black W White	S Satin *Q Semi-Specular (*Clear only)	



ACCESSORIES
HB-TL 25" Tru-Lock grid ceiling bar hangers, Pair HB-52 52" C-Channel Bar Hangers, Pair HB-28 28" C-Channel Bar Hangers, Pair LB-27 27" Linear Bar Hangers, Pair SCA4- * Sloped Ceiling adapter * Angle must be specified when ordering; Available in 5°, 10°, 15°, 20°, 25°, 30° Example: SCA6-20

ENGINEERING DATA 347 Volt available, consult factory.

Voltage	120V																	
	800	1300	1500	1700	2300	2800	3300	4000	4500	5000	5500	6000	6500	7000	7500	8000	8500	9000
Light Engine Lumens	800	1300	1500	1700	2300	2800	3300	4000	4500	5000	5500	6000	6500	7000	7500	8000	8500	9000
CCT	(2700K/3000K/3500K/4000K)																	
Input Current	0.075	0.125	0.158	0.183	0.242	0.308	0.300	0.383	0.337	0.382	0.426	0.452	0.492	0.552	0.601	0.638	0.694	0.766
Input Wattage	9W	15W	19W	22W	29W	37W	36W	46W	40W	46W	51W	54W	59W	66W	72W	76W	83W	92W
Input Frequency	50/60Hz	50/60Hz	50/60Hz	50/60Hz	50/60Hz	50/60Hz	50/60Hz	50/60Hz	50/60Hz	50/60Hz	50/60Hz	50/60Hz	50/60Hz	50/60Hz	50/60Hz	50/60Hz	50/60Hz	50/60Hz
Power Factor	0.9	0.9	0.9	0.9	0.9	0.9	0.9	0.9	0.9	0.9	0.9	0.9	0.9	0.9	0.9	0.9	0.9	0.9

Voltage	277V																	
	800	1300	1500	1700	2300	2800	3300	4000	4500	5000	5500	6000	6500	7000	7500	8000	8500	9000
Light Engine Lumens	800	1300	1500	1700	2300	2800	3300	4000	4500	5000	5500	6000	6500	7000	7500	8000	8500	9000
CCT	(270K/3000K/3500K/4000K)																	
Input Current	0.032	0.054	0.069	0.079	0.105	0.134	0.130	0.166	0.146	0.165	0.185	0.196	0.213	0.239	0.260	0.276	0.301	0.332
Input Wattage	9W	15W	19W	22W	29W	37W	36W	46W	40W	46W	51W	54W	59W	66W	72W	76W	83W	92W
Input Frequency	50/60Hz	50/60Hz	50/60Hz	50/60Hz	50/60Hz	50/60Hz	50/60Hz	50/60Hz	50/60Hz	50/60Hz	50/60Hz	50/60Hz	50/60Hz	50/60Hz	50/60Hz	50/60Hz	50/60Hz	50/60Hz
Power Factor	0.9	0.9	0.9	0.9	0.9	0.9	0.9	0.9	0.9	0.9	0.9	0.9	0.9	0.9	0.9	0.9	0.9	0.9

Energy Star Qualified:

	Product #	Fixture Configurations = Energy Star
	(120-277V 'All Colors') L6-(XX)(YY)(Z); L600H-(AA)(B) L600HW-(AA)(B)	Lumen Package: XX = 08, 13, 15, 17, 23, 28, 33, 40, 45, 50, 55, 60, 65, 70, 75, 80, 85, 90 CCT: YY = 27, 30, 35, 40 Voltage: Z = 1, 2 Reflector Color: AA = C, G, WT, PT, BZ, B, W Reflector Finish: B = L, S, Q
	(347V) L6-(XX)(YY)(Z); L600H-C(B) L600HW-C(B)	Lumen Package: 15, 17, 23, 33, 40, 45, 50, 55, 60, 65, 70, 75, 75, 80, 90 CCT: YY = 27, 30, 35, 40 Voltage: Z = 3 Reflector Finish: B = L, S, Q



Catalog Number: L6-1340-G2; L600HW-CL
 PHOTOMETRIC REPORT
 Test Number: PR08110941
 Total Lumen Output: 1131 Lumens
 Luminaire Efficacy: 76.3 lm/w (4K)
 Luminaire Spacing Criteria: 1.12
 Luminaire: Clear specular Alzak® reflector. Open bottom, wide distribution
 CIE-Type: Direct



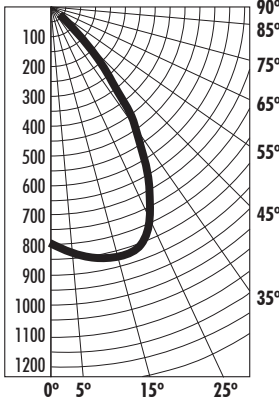
Initial Footcandles

Distance to Illuminated Plane (feet)	Footcandles Beam Center	Footcandles Beam Edge	Beam Diameter
6'	22.1	6.4	8.8"
7'	16.2	4.7	10.2"
8'	12.4	3.6	11.7"
9'	9.8	2.9	13.2"
10'	7.9	2.3	14.6"
11'	6.6	1.9	16.1"
12'	5.5	1.6	17.5"
13'	4.7	1.4	19.0"
14'	4.1	1.2	20.5"
15'	3.5	1.0	21.9"

AVERAGE INITIAL FOOTCANDLES

Reflectances: 80% Ceiling, 50% Walls, 20% Floors

Luminaire Spacing	Room Cavity Ratio		
	RCR1	RCR4	RCR8
5' x 5'	50	39	30
6' x 6'	35	27	21
7' x 7'	25	20	15
8' x 8'	19	15	12
9' x 9'	15	12	9
10' x 10'	12	10	7
11' x 11'	10	8	6
12' x 12'	9	7	5



CCT MULTIPLIER:
 (800-2800 Lumens)
 27K 3K 35K 4K
 .83 .92 .93 Baseline

Candlepower Distribution
 (Candelas)

Angle	Candela	Lumens
0°	794	
5°	832	79
15°	878	249
25°	781	362
35°	490	308
45°	169	131
55°	0	0
65°	0	0
75°	0	0
85°	0	0

Luminance Data

Angle in Degrees	Candela/M ²
45°	12076
55°	0
65°	0
75°	0
85°	0

Zonal Lumen Summary

Zone	Lumens%	%Fixture
0-30°	690	61.1
0-40°	998	88.4
0-60°	1129	100.0
0-90°	1129	100.0
90-180°	0	0.0
0-180°	1129	100.0

COEFFICIENTS OF UTILIZATION - % (Zonal Cavity Method)

Effective Floor Reflectance 20%

PCC	80				70				50				30				10				0
PW	70	50	30	10	70	50	30	10	50	30	10	50	30	10	50	30	10	50	30	10	0
0	117	117	117	117	114	114	114	114	109	109	109	104	104	104	100	100	100	98			98
1	111	108	105	103	108	106	104	102	102	100	98	98	97	95	95	94	93	91			91
2	105	100	96	92	103	98	94	91	95	92	89	92	90	87	89	87	85	84			84
3	99	92	87	83	97	91	86	83	89	85	81	86	83	80	84	81	79	77			77
4	94	86	80	76	92	85	79	75	82	78	74	80	77	73	79	75	72	71			71
5	88	80	74	69	87	79	73	69	77	72	68	75	71	67	74	70	67	65			65
6	83	74	68	63	82	73	67	63	72	67	63	70	66	62	69	65	62	60			60
7	79	69	63	58	77	68	62	58	67	62	58	66	61	58	65	60	57	56			56
8	74	64	58	54	73	64	58	54	63	57	54	62	57	53	61	56	53	52			52
9	70	60	54	50	69	60	54	50	59	53	50	58	53	50	57	53	49	48			48
10	67	57	51	46	66	56	50	46	55	50	46	55	50	46	54	49	46	45			45

Fixtures tested to IES recommended standard for solid state lighting per LM-79-08. Photometric performance on a single unit represents a baseline of performance for the fixture. Results may vary in the field.



1300 S. Wolf Road • Des Plaines, IL 60018 • Phone (800) 367-5866 • Fax (888) 708-6578
 Visit us at www.junolightinggroup.com