

TOSHIBA E-CORE LED MR16 GU5.3

DESIGN

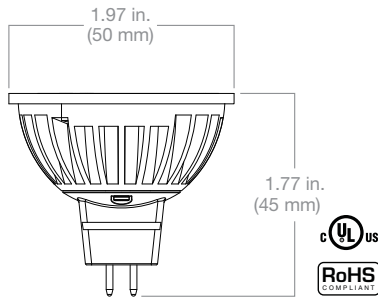


Project: _____ Date: _____
 Type: _____ Voltage: _____
 Comments: _____

> The **Toshiba E-Core MR16 GU5.3** is a high quality 12 V LED replacement lamp. The MR16 GU5.3 is a highly efficient LED lamp which uses only 4.5 watts of energy, significantly reducing your carbon footprint while maintaining a very high quality of light. It has a bi-pin GU5.3 base, which makes it ideal for retail lighting, museum lighting, hospitality lighting, accent lighting, recessed lighting, and architectural lighting. All Toshiba E-Core LED products have been manufactured in accordance with RoHS standards, and unlike compact fluorescent products, E-Core lamps contain no mercury.

Lamp Type	MR16 GU5.3 4.5 W 2700 K	MR16 GU5.3 4.5 W 3500 K	MR16 GU5.3 4.5 W 4000 K
Ordering Code	5MR16/827/FL25	5MR16/835/FL25	5MR16/840/FL25
Model	LEL-MR4L-GU5F-B/US	LEL-MR4WWGU5F-B/US	LEL-MR4W-GU5F-B/US
Wattage	4.5 W	4.5 W	4.5 W
Voltage	12 V	12 V	12 V
Color Temperature	2700 K	3500 K	4000 K
Initial Lumen	155 lm	170 lm	170 lm
Efficacy	34.4 lm/W	37.8 lm/W	37.8 lm/W
CRI	Ra 80	Ra 80	Ra 80
Beam Angle	25°	25°	25°
CBCP	510 cd	530 cd	530 cd
Base	GU5.3	GU5.3	GU5.3
Rated Life	40,000 Hrs.	40,000 Hrs.	40,000 Hrs.
Weight	1.6 oz. (45 g)	1.6 oz. (45 g)	1.6 oz. (45 g)

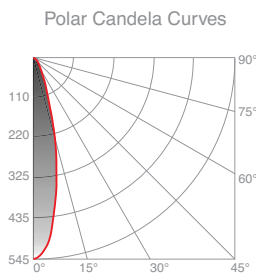
DIMENSIONS



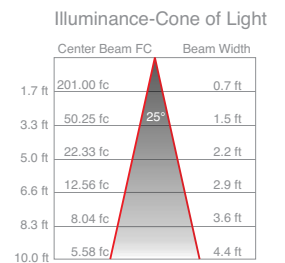
UL Listed, FCC and RoHS Compliant
 Three-Year Limited Warranty
 Photometric Testing Consistent with IES LM-79

PHOTOMETRICS

MR16 GU5.3 4.5 W 3500 K



Zone	Lumens(lm)	%Luminaire(%)
0-30	128	75.5
0-40	140	82.6
0-60	157	92.4
0-90	170	100.0
60-90	13	7.6
0-180	170	100.0



© 2010 Toshiba International Corporation
 LED Lighting Department
 13131 West Little York Road, Houston, Texas 77041
 US 800-231-1412
 Rev. 100510

ORDERING INFORMATION

Type	Color Information	Beam Angle
5MR16 - MR16 GU5.3	827 - Ra 80, 2700 K	FL25 - 25°
	835 - Ra 80, 3500 K	
	840 - Ra 80, 4000 K	

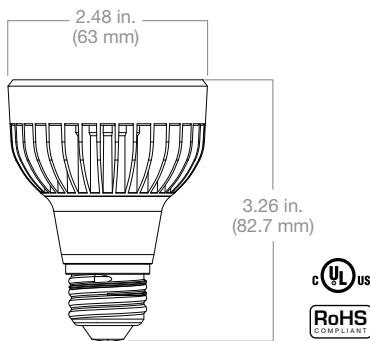
Example: 5MR16/827/FL25

TOSHIBA E-CORE LED PAR20

DESIGN



DIMENSIONS



© 2010 Toshiba International Corporation
LED Lighting Department
13131 West Little York Road, Houston, Texas 77041
US 800-231-1412
Rev. 100510

Project: _____ Date: _____
Type: _____ Voltage: _____
Comments: _____

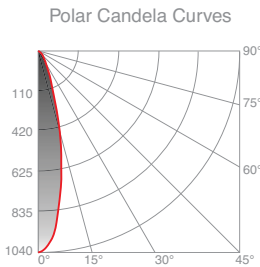
> The **Toshiba E-Core PAR20** is a high quality 120 VAC LED replacement lamp. The PAR20 is a highly efficient LED lamp which uses only 9 watts of energy, significantly reducing your carbon footprint while maintaining a very high quality of light. The PAR20 has an Edison medium E26 base, which makes it ideal for retail lighting, museum lighting, hospitality lighting, accent lighting, recessed lighting, and architectural lighting. All Toshiba E-Core LED products have been manufactured in accordance with RoHS standards, and unlike compact fluorescent products, E-Core lamps contain no mercury.

Lamp Type	PAR20 9.0 W 2700 K	PAR20 9.0 W 3500 K	PAR20 9.0 W 4000 K
Ordering Code	9P20/827/FL25	9P20/835/FL25	9P20/840/FL25
Model	LEL-PR8L-F1-2/US	LEL-PR8WWF1-2/US	LEL-PR8W-F1-2/US
Wattage	9.0 W	9.0 W	9.0 W
Voltage	120 V	120 V	120 V
Color Temperature	2700 K	3500 K	4000 K
Initial Lumen	260 lm	290 lm	290 lm
Efficacy	28.9 lm/W	32.2 lm/W	32.2 lm/W
CRI	Ra 80	Ra 80	Ra 80
Beam Angle	25°	25°	25°
CBCP	900 cd	1000 cd	1000 cd
Base	E26	E26	E26
Rated Life	40,000 Hrs.	40,000 Hrs.	40,000 Hrs.
Weight	6.4 oz. (180 g)	6.4 oz. (180 g)	6.4 oz. (180 g)

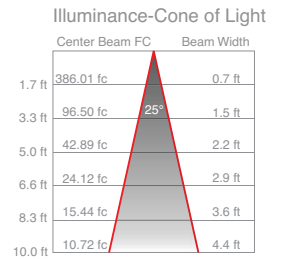
UL Listed, FCC and RoHS Compliant
Dimmable only with specified dimmers (For dimming compatibility information refer to www.Toshiba.com/lighting)
Three-Year Limited Warranty
Photometric Testing Consistent with IES LM-79

PHOTOMETRICS

PAR20 9.0 W 3500 K



Zone	Lumens(lm)	%Luminaire(%)
0-30	235	81.1
0-40	258	88.8
0-60	279	96.2
0-90	290	100.0
60-90	12	4.2
0-180	290	100.0



ORDERING INFORMATION

Type	Color Information	Beam Angle
9P20 - PAR20	827 - Ra 80, 2700 K	FL25 - 25°
	835 - Ra 80, 3500 K	
	840 - Ra 80, 4000 K	

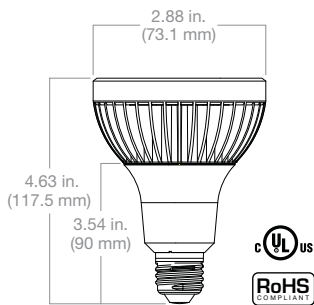
Example: 9P20/827/FL25

TOSHIBA E-CORE LED PAR30 LONG NECK

DESIGN



DIMENSIONS



© 2010 Toshiba International Corporation
LED Lighting Department
13131 West Little York Road, Houston, Texas 77041
US 800-231-1412
Rev. 100510

Project: _____ Date: _____
Type: _____ Voltage: _____
Comments: _____

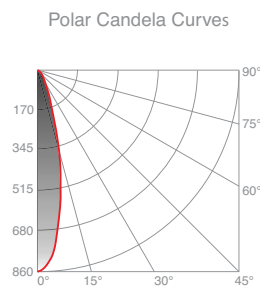
> The **Toshiba E-Core PAR30** long neck is a high quality 120 VAC LED replacement lamp. The PAR30 is a highly efficient LED lamp which uses only 10.5 watts of energy, significantly reducing your carbon footprint while maintaining a very high quality of light. The PAR30 has an Edison medium E26 base, which makes it ideal for retail lighting, museum lighting, hospitality lighting, accent lighting, recessed lighting, and architectural lighting. All Toshiba E-Core LED products have been manufactured in accordance with RoHS standards, and unlike compact fluorescent products, E-Core lamps contain no mercury.

Lamp Type	PAR30 Long Neck 10.5 W 2700 K	PAR30 Long Neck 10.5 W 3500 K	PAR30 Long Neck 10.5 W 4000 K
Ordering Code	11P30L/827/FL25	11P30L/835/FL25	11P30L/840/FL25
Model	LDRB0927ME6USDL	LDRB0935ME6USDL	LDRB0940ME6USDL
Wattage	10.5 W	10.5 W	10.5 W
Voltage	120 V	120 V	120 V
Color Temperature	2700 K	3500 K	4000 K
Initial Lumen	310 lm	360 lm	360 lm
Efficacy	29.5 lm/W	34.3 lm/W	34.3 lm/W
CRI	Ra 80	Ra 80	Ra 80
Beam Angle	25°	25°	25°
CBCP	850 cd	900 cd	900 cd
Base	E26	E26	E26
Rated Life	40,000 Hrs.	40,000 Hrs.	40,000 Hrs.
Weight	12.3 oz. (345 g)	12.3 oz. (345 g)	12.3 oz. (345 g)

UL Listed, FCC and RoHS Compliant
Dimmable only with specified dimmers (For dimming compatibility information refer to www.Toshiba.com/lighting)
Three-Year Limited Warranty
Photometric Testing Consistent with IES LM-79

PHOTOMETRICS

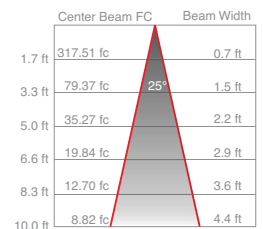
PAR30 10.5 W 3500 K



Zonal Lumen Summary

Zone	Lumens(lm)	%Luminaire(%)
0-30	257	71.5
0-40	302	83.8
0-60	342	95.1
0-90	360	100.0
60-90	18	4.9
0-180	360	100.0

Illuminance-Cone of Light



ORDERING INFORMATION

Type	Color Information	Beam Angle
11P30L - PAR30 Long Neck	827 - Ra 80, 2700 K	FL25 - 25°
	835 - Ra 80, 3500 K	
	840 - Ra 80, 4000 K	

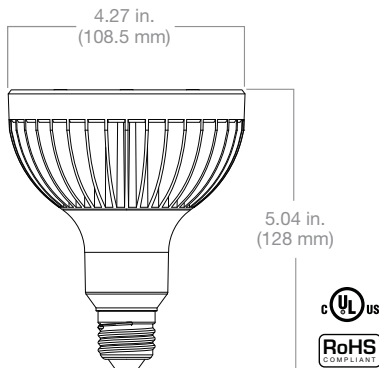
Example: 11P30L/835/FL25

TOSHIBA E-CORE LED PAR38

DESIGN



DIMENSIONS



© 2010 Toshiba International Corporation
LED Lighting Department
13131 West Little York Road, Houston, Texas 77041
US 800-231-1412
Rev. 100510

Project: _____ Date: _____
Type: _____ Voltage: _____
Comments: _____

> The **Toshiba E-Core PAR38** is a high quality 120 VAC LED replacement lamp. The PAR38 is a highly efficient LED lamp which uses only 12.5 watts of energy, significantly reducing your carbon footprint while maintaining a very high quality of light. The PAR38 has an Edison medium E26 base, which makes it ideal for retail lighting, museum lighting, hospitality lighting, accent lighting, recessed lighting, and architectural lighting. All Toshiba E-Core LED products have been manufactured in accordance with RoHS standards, and unlike compact fluorescent products, E-Core lamps contain no mercury.

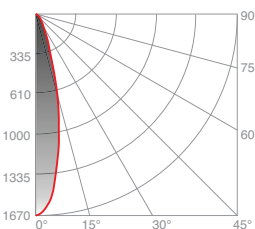
Lamp Type	PAR38 12.5 W 2700 K	PAR38 12.5 W 3500 K	PAR38 12.5 W 4000 K
Ordering Code	13P38/827/FL25	13P38/835/FL25	13P38/840/FL25
Model	LEL-PR11L-F1-4/US	LEL-PR11WW-F1-4/US	LEL-PR11W-F1-4/US
Wattage	12.5 W	12.5 W	12.5 W
Voltage	120 V	120 V	120 V
Color Temperature	2700 K	3500 K	4000 K
Initial Lumen	360 lm	410 lm	410 lm
Efficacy	28.8 lm/W	32.8 lm/W	32.8 lm/W
CRI	Ra 80	Ra 80	Ra 80
Beam Angle	25°	25°	25°
CBCP	1170 cd	1300 cd	1300 cd
Base	E26	E26	E26
Rated Life	40,000 Hrs.	40,000 Hrs.	40,000 Hrs.
Weight	16.8 oz. (470 g)	16.8 oz. (470 g)	16.8 oz. (470 g)

UL Listed, FCC and RoHS Compliant
Dimmable only with specified dimmers (For dimming compatibility information refer to www.Toshiba.com/lighting)
Three-Year Limited Warranty
Photometric Testing Consistent with IES LM-79

PHOTOMETRICS

PAR38 12.5 W 3500 K

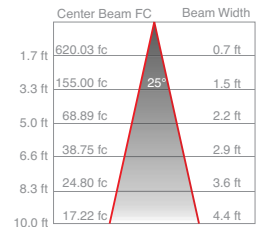
Polar Candela Curves



Zonal Lumen Summary

Zone	Lumens(lm)	%Luminaire(%)
0-30	364	84.5
0-40	371	90.5
0-60	395	96.4
0-90	410	100.0
60-90	15	3.6
0-180	410	100.0

Illuminance-Cone of Light



ORDERING INFORMATION

Type	Color Information	Beam Angle
13PAR38 - PAR38	827 - Ra 80, 2700 K	FL25 - 25°
	835 - Ra 80, 3500 K	
	840 - Ra 80, 4000 K	

Example: 13P38/827/FL25