

CASSIOPEIA LT Series

Fixture Construction

- Surface mounted LED striplight measures only 0.58" wide and 0.79" high
- Striplight consists of PVC track, acrylic diffuser lens and LED circuit boards
- PVC track mounts to surface, LED boards slide into lens and lens snaps into track, making for easy installation
- Male/female connectors allow for quick electrical connection of LED boards
- LED boards butt together end-to-end, creating no gaps in light
- 12" and 3" LED boards available, allowing fixture lengths to be created in increments of 3"

Optical Characteristics

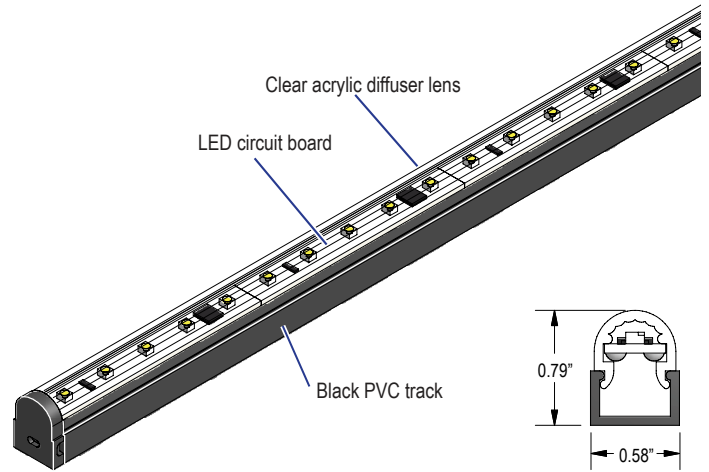
- Provides 65 lumens per foot
- Prismatic serrations in lens diffuse light
- LEDs spaced 0.6" on center (20 LEDs on 12" board, 5 LEDs on 3" board)
- 120° wide beam angle of LEDs creates even illumination
- Tight color-binning of LEDs ensures uniformity of color
- Available in 2400K and 2900K warm white
- Consult factory for 5000K cool white, blue, green, red and yellow LEDs (Minimum quantities may apply)
- Emits no UV and no IR

Electrical Specifications

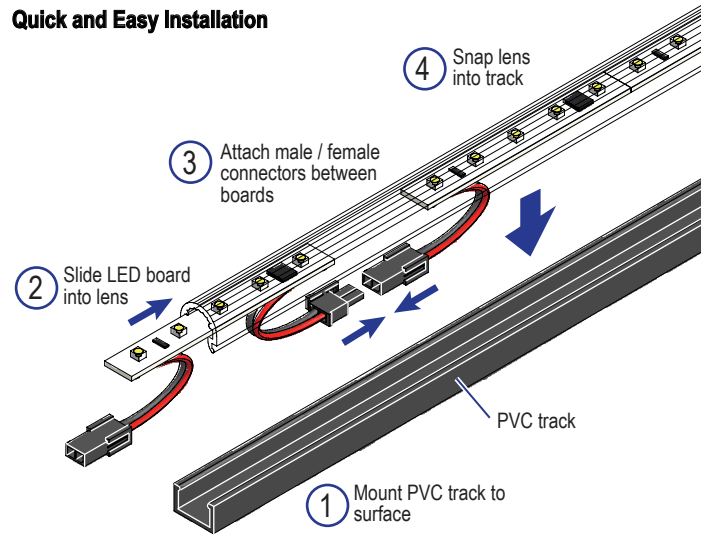
- Consumes only 2.12W per foot
- Runs on 24V AC (Use with available Power Supply)
- Dimmable with most standard magnetic low voltage dimming systems
- Maximum run length is 30 feet per feed point
- ETL Listed for Dry and Damp Location
- Certified for closet light applications in accordance with NEC Code, Section 410.16

Heat Management and Rated Life

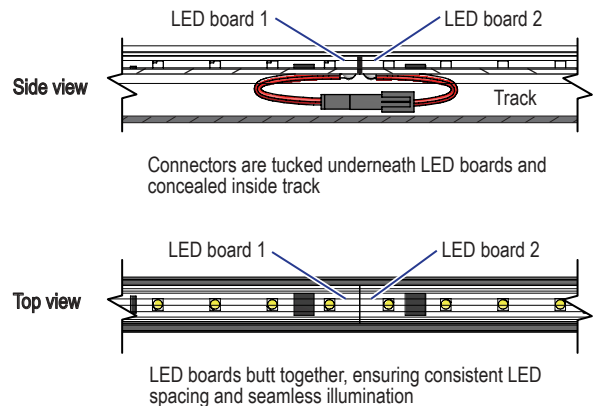
- LEDs operate on low current of 0.09 Amp per foot
- Low current generates minimal heat, preserving LED life without need for elaborate heat sink
- Rated life is 50,000 hours, with minimum 70% lumen maintenance, when used in normal environmental conditions
- Long life results in low maintenance and replacement costs
- Produces no radiant heat; optimal for heat-sensitive applications



Quick and Easy Installation



Seamless Illumination



How to Specify CASSIOPEIA LT Series

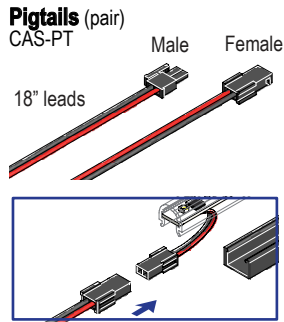
CAS - LT -	<input type="text"/>	-	<input type="text"/>
	LED Color		Fixture Length
	W24 W29	2400K warm white 2900K warm white	<ul style="list-style-type: none"> • Specify fixture length in increments of 3" • Maximum fixture length is 30 feet
Example			
CAS - LT -	W24	-	10' 6"

LED Circuit Board Lengths

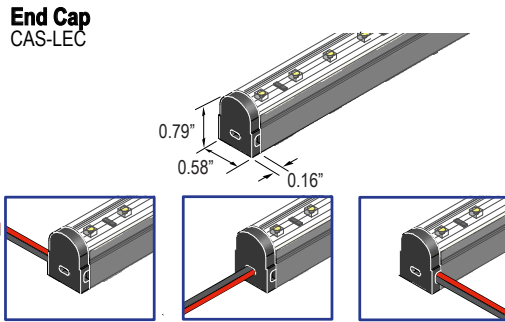


Fixture lengths can be specified in increments of 3" by using any combination of 12" and 3" LED boards

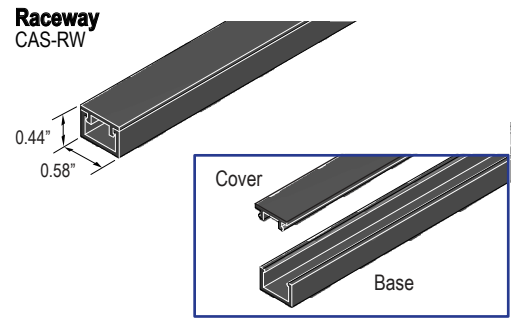
Accessories



Order one pair per run. Each pair includes one male pigtail and one female pigtail. Use one, depending on which end of fixture is being fed.

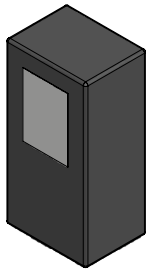


End caps include 3 openings, allowing pigtail leads to feed out of end of fixture as well as to either side of fixture. Allow 3/16" of additional length to fixture for each end cap used.



Use to enclose lead wires and splice connections. Low profile and clean shape make raceway inconspicuous and unobtrusive. Made of black PVC. Ships in 5ft sections. Cut to length and miter-cut at corners. Mount base to surface and snap in cover.

Power Supplies



Ratings

Input: 120VAC or 277VAC 50/60Hz
 Output: 24VAC
 Output current: 4 Amps per output circuit
 Maximum output power: 100W or 300W
 Overload protection: Automatic shut-down / reset
 Enclosure: NEMA 3R, with conduit knockouts
 Operating temperature: -30° to 60° Celsius
 Certification: ETL Listed Class 2 Power Supply
 Dimming: Compatible with most standard magnetic low-voltage dimmers, wired to input side

Mount to secure surface in accessible area with adequate ventilation, no further than 20ft. from start of LED strip

Ordering Codes

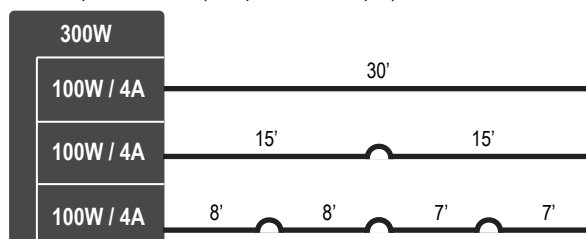
Item Number	Watts	Volts	Outputs	Dimensions	Weight
APS-120-100	100 W	120VAC to 24VAC	1 X 4A	6.75" H x 6.25" W x 4.75" D	11 lbs
APS-277-100	100 W	277VAC to 24VAC	1 X 4A	6.75" H x 6.25" W x 4.75" D	11 lbs
APS-120-300	300 W	120VAC to 24VAC	3 X 4A	6.75" H x 6.25" W x 4.75" D	12 lbs
APS-277-300	300 W	277VAC to 24VAC	3 X 4A	6.75" H x 6.25" W x 4.75" D	15 lbs

How to Feed CASSIOPEIA LT Series (Maximum 30ft per run)

100W Power Supply
Feeds up to 30ft



300W Power Supply
Feeds up to 90ft total (30ft per 100W output)



Multiple groups of modules may be daisy-chained together, so long as total length of run does not exceed 30ft.