

Plastic Floor Box

HUBBELL



Wiring Device-Kellems

Plastic Floor Boxes by Hubbell: The Inside Story is Outstanding

For the real story on plastic floor boxes, start on the inside. Because, while all plastic floor boxes look pretty much the same on the outside, Hubbell offers an alternative to gluing and a full range of features that translate into versatility and convenience for power and voice/data.

Versatility. For starters, Hubbell provides an optional low-voltage divider (patent pending) that permits all three services—power, voice and data—in one round, plastic floor box.

Choice of Installation Method. Hubbell plastic floor boxes are a cinch to install. You just anchor them to grade, glue in conduit and pour concrete. But there's more to Hubbell's inside story. During the trim out stage, you have the choice of mechanically fastening or gluing Hubbell's adapter ring. With Hubbell plastic floor boxes you get to choose because of Hubbell's exclusive adapter ring design. It fits securely with four retainer clips and adjusting screws for leveling that's quick and easy, or it can be glued. When you're ready to install the cover and carpet flange, Hubbell's mechanical installation lets you avoid the potential messiness of glue around new carpet.

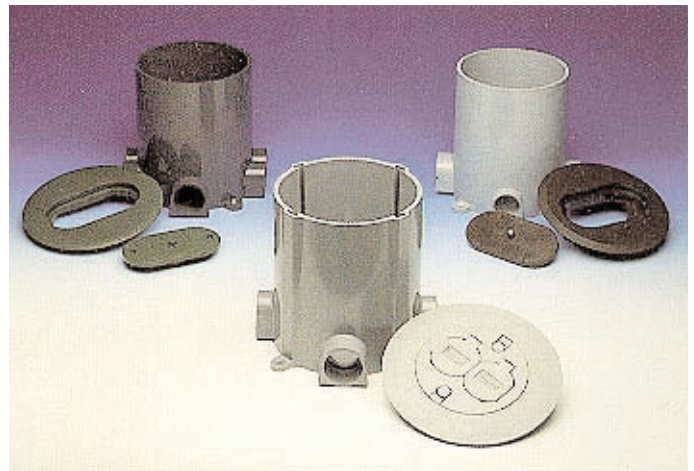
Accessibility. Hubbell floor box covers and carpet flanges are

easily removed at a later date to permit retrofits and facilitate carpet changes.

Variety and Aesthetics. Hubbell offers 16 attractive flush cover options. The flap covers on our plastic models are spring-loaded, so there's no trough to be left open to collect dirt, dust and paper clips. You can use Hubbell designer plastic finishes or opt for rich, gleaming brass or aluminum for a top-of-the-line look. If you need an above floor service fitting, Hubbell provides the widest variety on the market, including satin aluminum and plastic in three designer colors.

Family. Hubbell plastic floor boxes are just part of a much larger story. There's an entire family of Hubbell floor boxes that can meet every need in any project requiring plastic or metal. There's more than 200 catalog numbers, including stamped steel, cast iron, plastic; round, rectangular, single-gang, multi-gang—whatever your application, the choice is yours.

But whatever your choice, make sure of one thing: That it's Hubbell. The standard of excellence for more than 100 years.



Before the pour, plastic floor boxes look the same on the outside. The Hubbell plastic floor box has numerous engineered-in features that deliver more value, performance, flexibility and convenience than any other available on the market. In addition, at trim out time, with Hubbell's round plastic floor box, you get a wide choice of cover materials and finishes for unmatched aesthetics.

Hubbell Plastic Floor Box Features

- Power and Voice/Data in one round floor box.
- Your choice of installation, Fastening or gluing.
- Easily installed cover and carpet flange—removable for retrofits.
- Choice of 16 attractive (and functional) plastic, brass or aluminum designer covers. Plastic covers come with spring-loaded flaps.

Hubbell Rewrites the Book on Multi-Service Installation To Make It a Real Quick Read



Step 1: Set box using tie-down stakes for on-grade installations or fasten to concrete form for above-grade installations complying with local building codes/regulations.

Install separate conduit runs for power and voice/data cables. Press concrete cover firmly in place...Pour concrete.



Step 2: Cut off box flush with floor surface, making allowances for floor covering material if it will be thicker than 3/8 inch. Pull wires.



Step 3: Cut and install PFBT1 low-voltage divider as per instructions. Pull wires: receptacle wires go through tube, voice and data cables run outside of tube.

Note: For single service installation omit PFBT1 low-voltage divider.



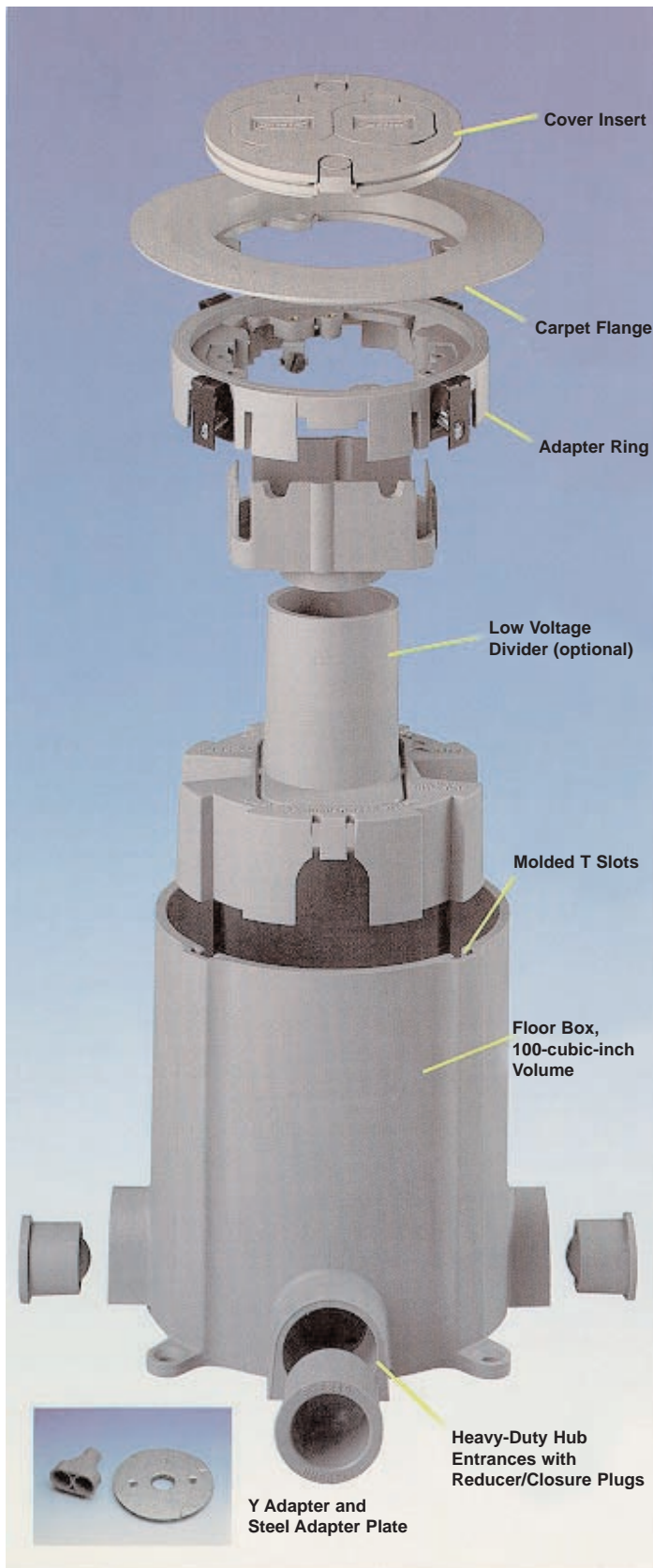
Step 4: To permit future retrofits, mechanically fasten adapter ring using mounting hardware provided, or permanently fasten with glue.

Screw plastic carpet flange to adapter ring. Pull wires through and wire receptacle.



Step 5: Fasten receptacle into carpet flange recess. Feed voice/data cables through punched-out openings on plastic floor box cover. Fasten cover to receptacle.

It's the Features that Make the Case for Hubbell Plastic Floor Boxes



Cover Insert and Carpet Flange

-Choose from 16 catalog numbers...four designer colors in plastic (brown, gray, ivory and black)...plus brushed brass and aluminum. All plastic cover flaps have spring-loaded hinges so they won't get lost. Plus they'll keep debris out when receptacles are not in use, unlike other trough-type covers that become collection points for dirt. Hubbell covers and carpet flanges install quickly and easily with screws, making retrofitting or carpet changes a breeze.

Adapter Ring-Hubbell's exclusive adapter ring installs mechanically or with glue. Mechanical fastening permits precise leveling, provides easy access to the box and reduces retrofits to a simple procedure.

Low-Voltage Divider (optional)-Hubbell exclusive, snaps into place to permit power and voice/data in the same floor box.

Molded T Slots-Four grooves run the entire depth of the box on the inside and make it possible

for adapter ring to fit securely within box, no matter where box has been cut to match pour level.

100-cubic-inch Floor Box Volume-Rugged Hubbell floor boxes are molded from non-conductive, non-corroding PVC and provide extra capacity and more wiring room.

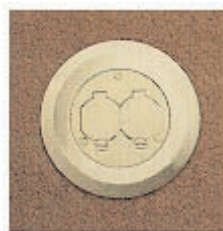
Heavy-Duty Hub Entrances-Thick-walled hubs at the conduit entrance points are built to withstand the rigors of both installation and pour.

Floor box comes with four dual-purpose reducer/closure plugs, (2) 3/4", (2) 1". Unique dome-shaped design makes knockouts a snap.

Y Adapter - Hubbell Y adapter for feeding parallel runs of 3/4" conduit...or to feed in/out of the same side.

Steel Adapter Plate -Inexpensive stamped steel saves money when using pedestal service fittings on carpeted floors.

For Variety to Meet Every Need, Hubbell Has You Covered



Brass
S3925 Cover
S3082 Carpet Flange



Non-metallic Ivory
PFBCI



Non-metallic Gray
PFBCGY



Aluminum
SA3925 Cover
SA3182 Carpet Flange



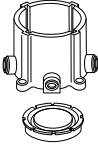


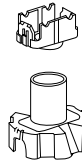
Non-metallic Black
PFBCBL



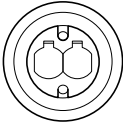
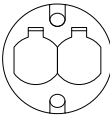
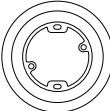
Non-metallic Brown
PFBCBR

Ordering Information







Plastic Floor Box and Accessories

| | Product Description | Catalog Number |
|---|---|----------------|
|  | Round plastic floor box comes with concrete cover and 4 reducer/closure plugs (2) 3/4 inch (2) 1 inch | PFB1 |
|  | Adapter ring (one required for each PFB1 floor box) | PFBA1 |
|  | "Y" adapter for feeding parallel runs of 3/4" conduit or to feed in/out of the same side | PFBYA1 |
|  | Low-voltage divider which provides three service capability in one PFB1 floor box. Must be used with plastic covers. <i>Note: Install separate conduit runs for multi-service (power and voice/data) applications using PFBT1 Low-Voltage Wiring Tube.</i> | PFBT1 |

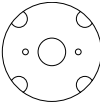


Nonmetallic and Brass Covers and Accessories

| | Product Description | Color | Catalog Number |
|---|---|---|--|
| Plastic Covers | Diameter 6.25 (158.8) Thermoplastic floor box cover with duplex flap, two low-voltage knockouts and matching carpet flange. Each low-voltage knockout can accommodate up to (1) 25 pair cable | Brown Ivory Gray Black Finish Brass | PFBCBR PFBCI PFBCGY PFBCBL SF39253 |
|  | | | |
| Plastic Replacement Cover Inserts | Replacement cover for PFBCBR | Brown | PFBRCBR |
|  | Replacement cover for PFBCI | Ivory | PFBRCI |
| | Replacement cover for PFBCGY | Gray | PFBRCGY |
| | Replacement cover for PFBCBL | Black | PFBRCLB |
| | Replacement cover for SF39253 | Brass | BRS2RC |
| | <i>Note: These items may also be used as replacement covers for Hubbell flush fire-rated poke-throughs (PT7F Series)</i> | | |
| Plastic Replacement Carpet Flanges | Thermoplastic carpet flange | Brown Ivory Gray Black | PFBFBR PFBFI PFBFGY PFBFBL |
|  | | | |

Metallic Covers and Accessories

| | Product Description | Catalog Number Brass | Catalog Number Aluminum |
|--|--|-------------------------|-------------------------|
| Metallic Covers | | | |
|  | Duplex flap | S3925 | SA3925 |
|  | Duplex Screw 1 1/2" x 1 1/2" | S3725 | SA3725 |
|  | Combination 2 1/8" x 1" Combination 2 1/8" x _" | S2725 S2525 | SA2725 SA2525 |
|  | Single 2 1/8" Single 2 3/8" Single 2 1/8" (for terrazzo floors) | S2925 S3525 S3325 | SA2925 - - |
| Metallic Carpet Flanges (On carpeted floors, use with metallic covers listed above) | | | |
|  | 6 1/4" diameter carpet flange | S3082 | - |
| | 5 1/4" diameter carpet flange | S3182 | SA3182 |
| Metallic Tile Cover Flanges | | | |
|  | Cover flange required for each PFB1 floor box when using metallic covers on tile floors. | S5016 | SA5016 |

Above Floor Service Fittings - Pedestal Type

| | Product Description | Catalog Number | |
|--|--|----------------|-----------------------|
| Steel Mounting Plate | | | |
|  | Steel plate with 1 inch threaded opening for use with above floor service fittings | PFBP1 | |
| Assembled Plastic Service Fittings | | | |
| | Product Description | Color | Catalog Number |
|  | One side voice/data knockouts, opposite side blank | Ivory Gray | SCP3090I SCP3090GY |
|  | One side power duplex receptacle opening, opposite side duplex receptacle knockout | Ivory Gray | SCP3092I SCP3092GY |
| | <i>Note: Each pedestal is provided with a 1" chase nipple and will mount on any floor box cover or under-floor duct after set insert with a 1" threaded opening. Power and voice/data devices ordered separately</i> | | |

| Product Description | Catalog Number |
|---|----------------|
| Unassembled Metallic LO-CON™ Fittings Aluminum housing without plates with 3/4" mounting nipple | SC3098 |
| Aluminum housing without plates with 1" mounting nipple | SC3099 |
| Blank stainless steel plate | SS309B |
| Bushed stainless steel telephone plate 1" I.D. with two 3/8" diameter knockouts for data | SS309T |
| Single receptacle stainless steel plate 1.390" opening | SS309S |
| Duplex receptacle stainless steel plate | SS309D |
| Style Line® or duplex surge receptacle stainless steel plate. | SS309DS |

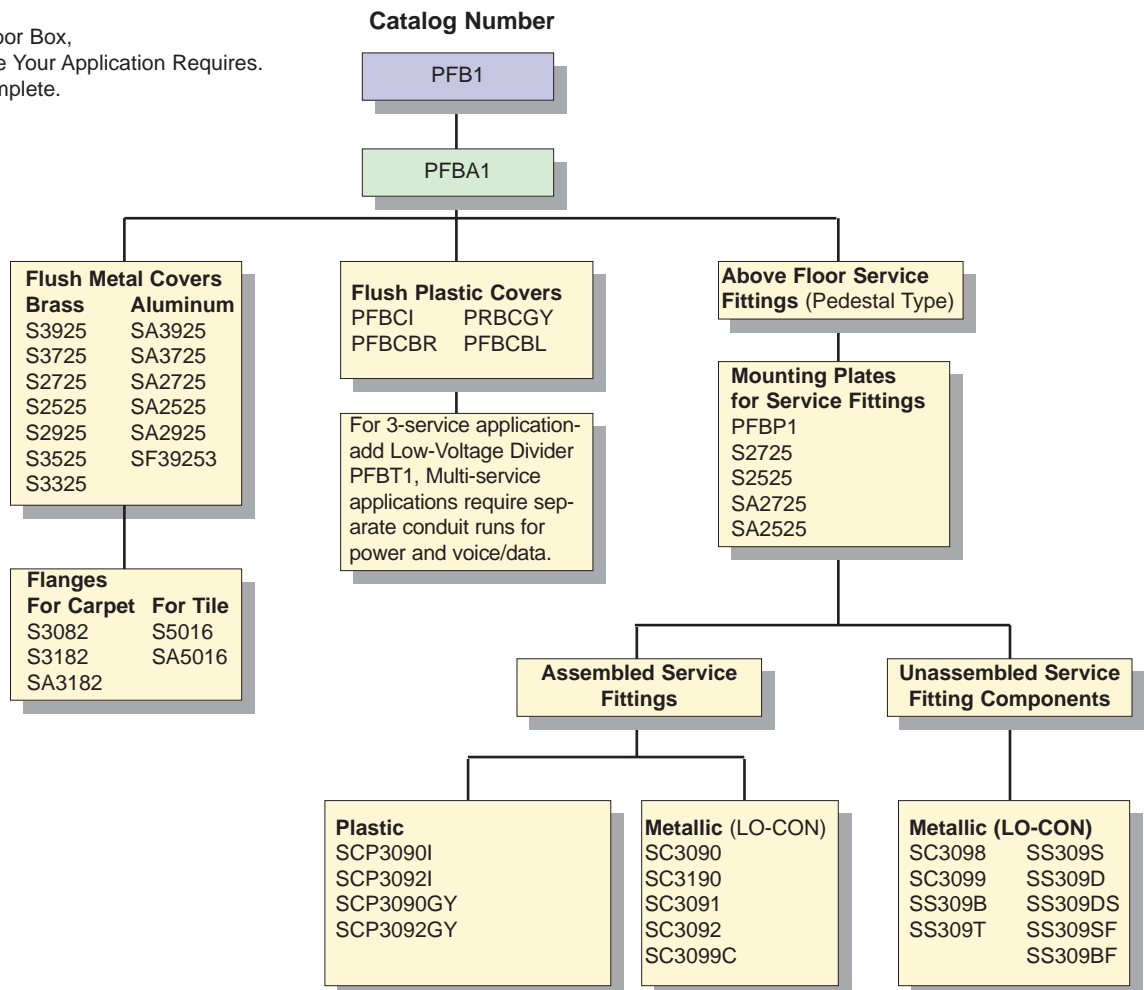
| Product Description | Catalog Number |
|---|----------------|
| Furniture feed aluminum plate with 1.109" knockout to accept 3/4" liquid-tight or greenfield type connector | SS309SF |
| Furniture feed aluminum plate, blank <i>Note: When using SS309SF on Hubbell's LO-CON Series Above Floor Fittings, SS309BF must be used on the opposite side.</i> | SS309BF |
| Assembled Service Fittings IBM-compatible LO-CON fitting. Service Fitting includes the housing with 1" mounting nipple, protector bar, IBM interface plate and stainless steel blank plate. | SC3099C |
| With telephone bushing and two 3/8" knockouts for data on one side, other side blank. | SC3090 |
| Back-to-back telephone bushings and data openings. | SC3190 |
| One 15-Amp, 125-Volt duplex receptacle, one side blank. | SC3091 |
| Back-to-back 15-Amp, 125-Volt receptacle | SC3092 |

Note: LO-CON fittings have aluminum housings with stainless steel plates.

Selection Guide

Begin with a Hubbell Plastic Floor Box,
End up with the Precise Service Your Application Requires.
Hubbell Makes it Easy and Complete.

- Step 1**
Order Floor Box
- Step 2**
Order Adapter Ring
(Required for PFB1)
- Step 3**
Select Cover or Above-Floor Service Fitting



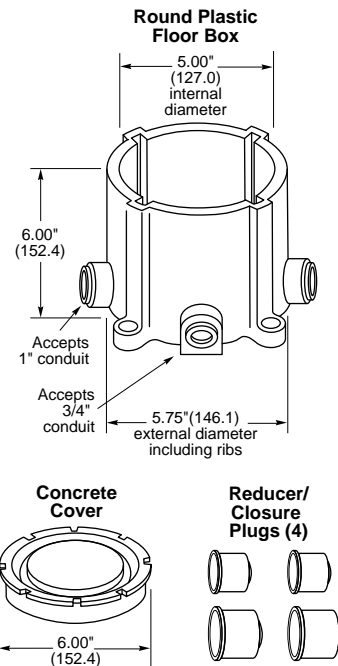
Technical Data

Catalog No. PFB1

Consists of one floor box, one concrete cover, four reducer/closure plugs

Specifications

| | |
|------------------------|---|
| Material: | PVC |
| Depth of Pour: | Minimum 3 inches |
| Capacity: | 100 cubic inches maximum volume of 19.5 cubic inches per inch of depth |
| Hubs: | Four entry hubs (2) 1"; (2) 3/4" |
| Reducer/Closure Plugs: | Dual purpose plugs close off unused hubs and act as reducers. |
| Plug Dimensions: | Two 1" plugs close off 1" hub or reduce 1" hub to 3/4" Two 3/4" plugs close off 3/4" hub or reduce 3/4" hub to 1/2" |
| Conduit Selection: | Accepts 1/2", 3/4", 1" Schedule 40 and Schedule 80 rigid PVC conduit, and E.N.T. (electrical non-metallic tubing). <i>Note:</i> Accepts steel conduit if female adapter PVC fittings are used. <i>Note:</i> Use catalog number PFBYA1 3/4" "Y" adapter to feed parallel runs of 3/4" conduit. |

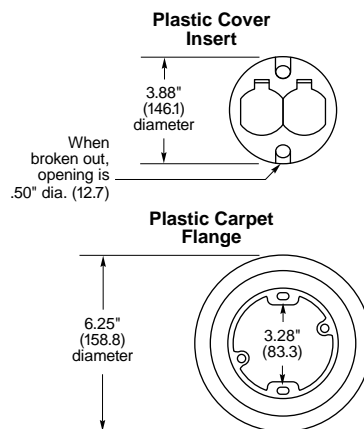


Catalog No. PFBC Series

Plastic cover insert and carpet flange.

Specifications

| | |
|-------------------|--|
| Colors Available: | Brown, Ivory, Gray, Black |
| Material: | Thermoplastic (ABS) |
| Capacities: | <i>Power</i> -accepts standard Hubbell duplex receptacle or 15-Amp duplex Twist-Lock® receptacle (4700 series) <i>Low Voltage</i> -Each 1/2" diameter knockout can accommodate up to one 25-pair telephone cable, or one 50-wire data/communications cable. |

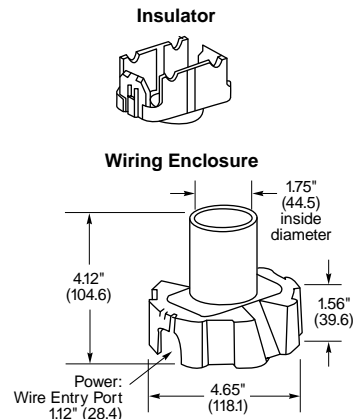


Catalog No. PFBT1

For multi-service applications. Consists of one Insulator and one Wiring Enclosure.

Specifications

| | |
|----------------------|--|
| Low-voltage Divider: | Installs inside PFB1 floor box for multi-service applications. Use separate conduit runs for power and voice/data cable. |
| Insulator: | Accepts Hubbell standard duplex receptacle or 15-Amp twist-Lock® duplex receptacle (4700 series). |
| Wiring Enclosure | |
| Power Capacity: | 19.6 cubic inches plus 2.4 cubic inches per each inch of tube. |



Hubbell plastic floor box products conform to UL514C Standard for Non-Metallic Outlet Boxes, Flush Device Boxes and Covers.



Wiring Device - Kellems

Hubbell Incorporated (Delaware) • 185 Plains Road • Milford, CT 06460-2420 • (203) 882-4800 • FAX (800) 255-1031 • in CT (203) 882-4849
World Wide Web URL: <http://www.hubbell-wiring.com>

Worldwide Locations

Hubbell Canada (905) 839-1138, Fax (905) 839-9108
Hubbell Ltd. England (441) 234-855444, Fax (441) 234-854008
Hubbell-Taian Co., Ltd., (886) 2 515-0855, Fax (886) 2 515-0899
Hubbell Int'l. Inc., Korea Branch (82) 2 607-1362, Fax (82) 2 603-7386
Hubbell de Mexico, S.A. de C.V. (52) 5 575-2022, Fax (52) 5 559-8626

Caribe Sales Agencia, Puerto Rico (809) 720-7185, Fax (809) 789-2796
Hubbell S.E. Asia Pte., Ltd., 65-4544772, Fax 65-4544775
Hubbell Inc. Middle East (971) 4 369-763, Fax (971) 4 360-541
Hubbell Turkey (011)-90-216-3497047, Fax (011)-90-216-349-6737